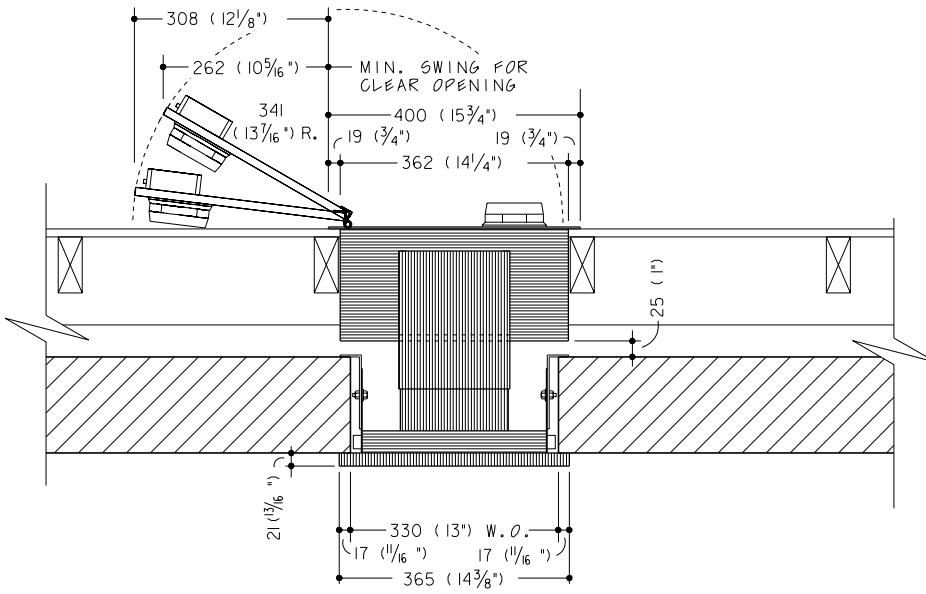
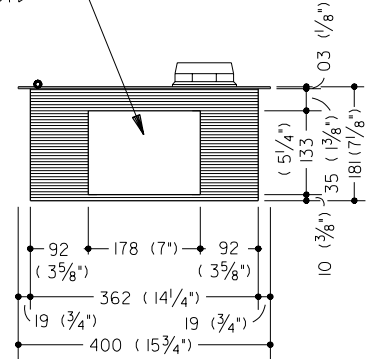


DIMENSIONS IN MILLIMETRES
(DIMENSIONS IN INCHES)



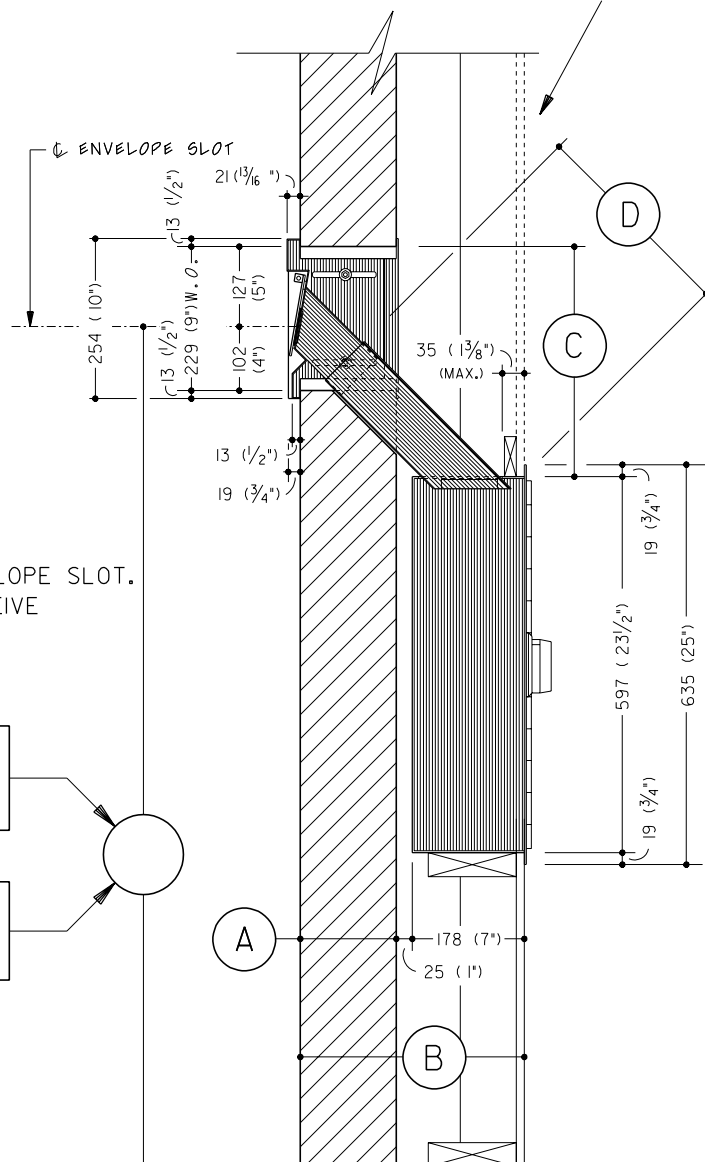
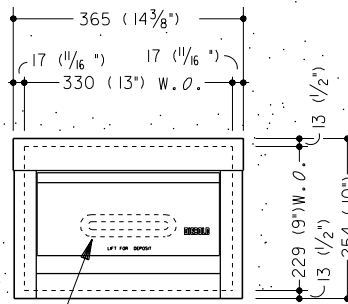
PLAN VIEW

OPENING IN TOP OF LOCKER FOR CHUTE



PLAN VIEW

BACK OF DEPOSITORY MUST BE ACCESSIBLE DURING INSTALLATION TO PERMIT ATTACHING ADJUSTABLE WALL CLAMPS



VERTICAL SECTION

MODEL 163-33 IS STANDARD WITH 14 (9/16") X 127 (5") ENVELOPE SLOT. SLOT CAN BE CONVERTED TO 35 (1 3/8") X 152 (6") TO RECEIVE VCR TAPES BY REMOVING RESTRICTOR PLATE AT TIME OF INSTALLATION.

STANDARD INSTALLATION HEIGHT PER A.D.A. GUIDELINES
 1244 (49") OPTIMUM FROM SIDEWALK TO OPERATING HEIGHT LINE, DIMENSION MUST BE HELD

ALTERNATE INSTALLATION HEIGHT
 1346 (53") OPTIMUM FROM SIDEWALK TO OPERATING HEIGHT LINE, DIMENSION MAY VARY TO SUIT INSTALLATION

EXTERIOR ELEVATION



SCHEDULE

A	152 (6")	165 (6½")	178 (7")	191 (7½")	203 (8")	216 (8½")	229 (9")	241 (9½")	254 (10")	267 (10½")	279 (11")	292 (11½")	305 (12")
B	356 (14")	368 (14½")	381 (15")	394 (15½")	406 (16")	419 (16½")	432 (17")	444 (17½")	457 (18")	470 (18½")	483 (19")	495 (19½")	508 (20")
C	365 (14¾")	378 (14⅞")	391 (15¾")	403 (15⅞")	416 (16¾")	429 (16⅞")	441 (17¾")	454 (17⅞")	467 (18¾")	479 (18⅞")	492 (19¾")	505 (19⅞")	518 (20¾")
D	330 (13")	349 (13¾")	368 (14½")	387 (15¼")	406 (16")	425 (16¾")	445 (17½")	464 (18¼")	483 (19")	502 (19¾")	521 (20½")	540 (21¼")	559 (22")

DIMENSIONS IN MILLIMETRES
(DIMENSIONS IN INCHES)



SPECIFICATIONS:

#163-33 ENVELOPE DEPOSITORY

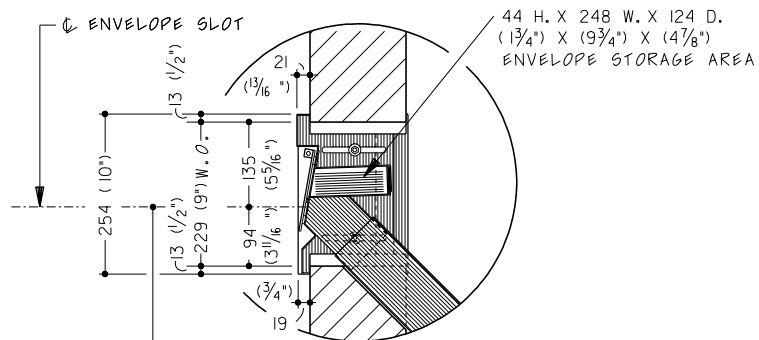
EXTERIOR FINISH: _____ STAINLESS STEEL
 WEIGHT INCLUDING CHUTE: _____ 13.5 kg (30 LBS.)

#163-34 ENVELOPE DEPOSITORY WITH ENVELOPE STORAGE AREA

EXTERIOR FINISH: _____ STAINLESS STEEL
 WEIGHT INCLUDING CHUTE: _____ 13.5 kg (30 LBS.)
 ENVELOPE STORAGE CAPACITY: _____ 75 ENVELOPES

#163-32 LOCKER

CONSTRUCTION: _____ 03 (⅛") STEEL BODY — 13 (½") STEEL DOOR
 LOCK: _____ GROUP 2 (3) TUMBLER KEY CHANGE COMBINATION LOCK
 FINISH: _____ PRIME PAINTED GRAY
 WEIGHT: _____ 36.5 kg (81 LBS.)



**MODEL 163-34 ENVELOPE DEPOSITORY
WITH ENVELOPE STORAGE**

MODEL 163-34 HAS AN ENVELOPE
SLOT OF 14 (⅞") X 127 (5")

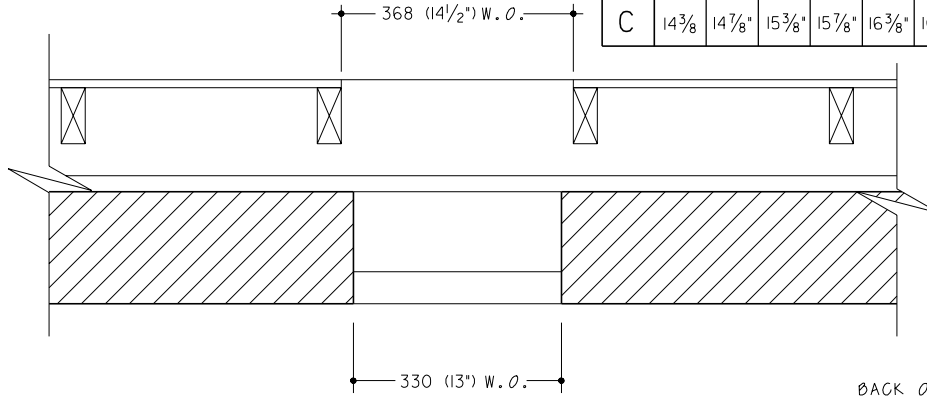
STANDARD INSTALLATION HEIGHT PER
A.D.A. GUIDELINES
1244 (49") OPTIMUM FROM SIDEWALK
TO OPERATING HEIGHT LINE, DIMENSION
MUST BE HELD

ALTERNATE INSTALLATION HEIGHT
1346 (53") OPTIMUM FROM SIDEWALK
TO OPERATING HEIGHT LINE, DIMENSION
MAY VARY TO SUIT INSTALLATION

CALL 1-800-999-3600

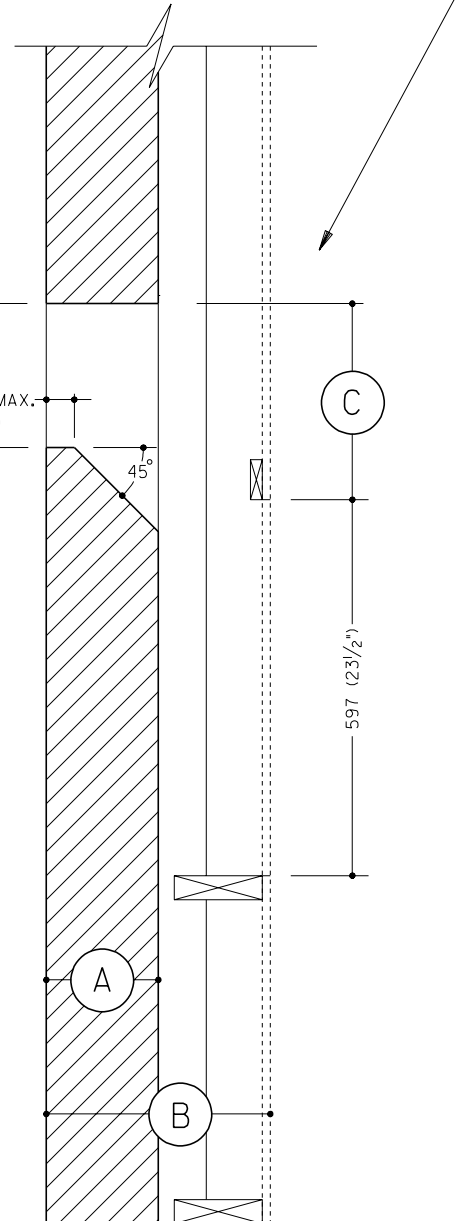
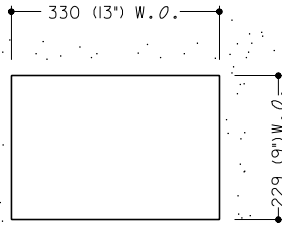
A	6"	6½"	7"	7½"	8"	8½"	9"	9½"	10"	10½"	11"	11½"	12"
B	14"	14½"	15"	15½"	16"	16½"	17"	17½"	18"	18½"	19"	19½"	20"
C	14¾"	14⅞"	15¾"	15⅞"	16¾"	16⅞"	17¾"	17⅞"	18¾"	18⅞"	19¾"	19⅞"	20¾"

DIMENSIONS IN MILLIMETRES
(DIMENSIONS IN INCHES)



PLAN VIEW

BACK OF DEPOSITORY MUST BE ACCESSIBLE DURING INSTALLATION TO PERMIT ATTACHING ADJUSTABLE WALL CLAMPS



STANDARD INSTALLATION HEIGHT PER A.D.A. GUIDELINES 1143 (45") OPTIMUM FROM SIDEWALK TO BOTTOM OF WALL OPENING, DIMENSION MUST BE HELD

ALTERNATE INSTALLATION HEIGHT 1244 (49") OPTIMUM FROM SIDEWALK TO BOTTOM OF WALL OPENING, DIMENSION MAY VARY TO SUIT INSTALLATION

EXTERIOR ELEVATION

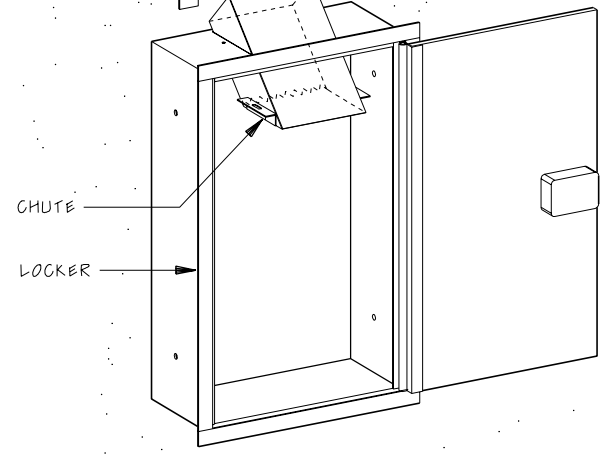
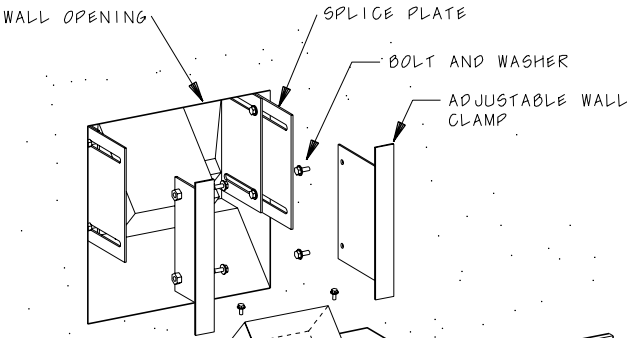
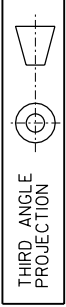
VERTICAL SECTION



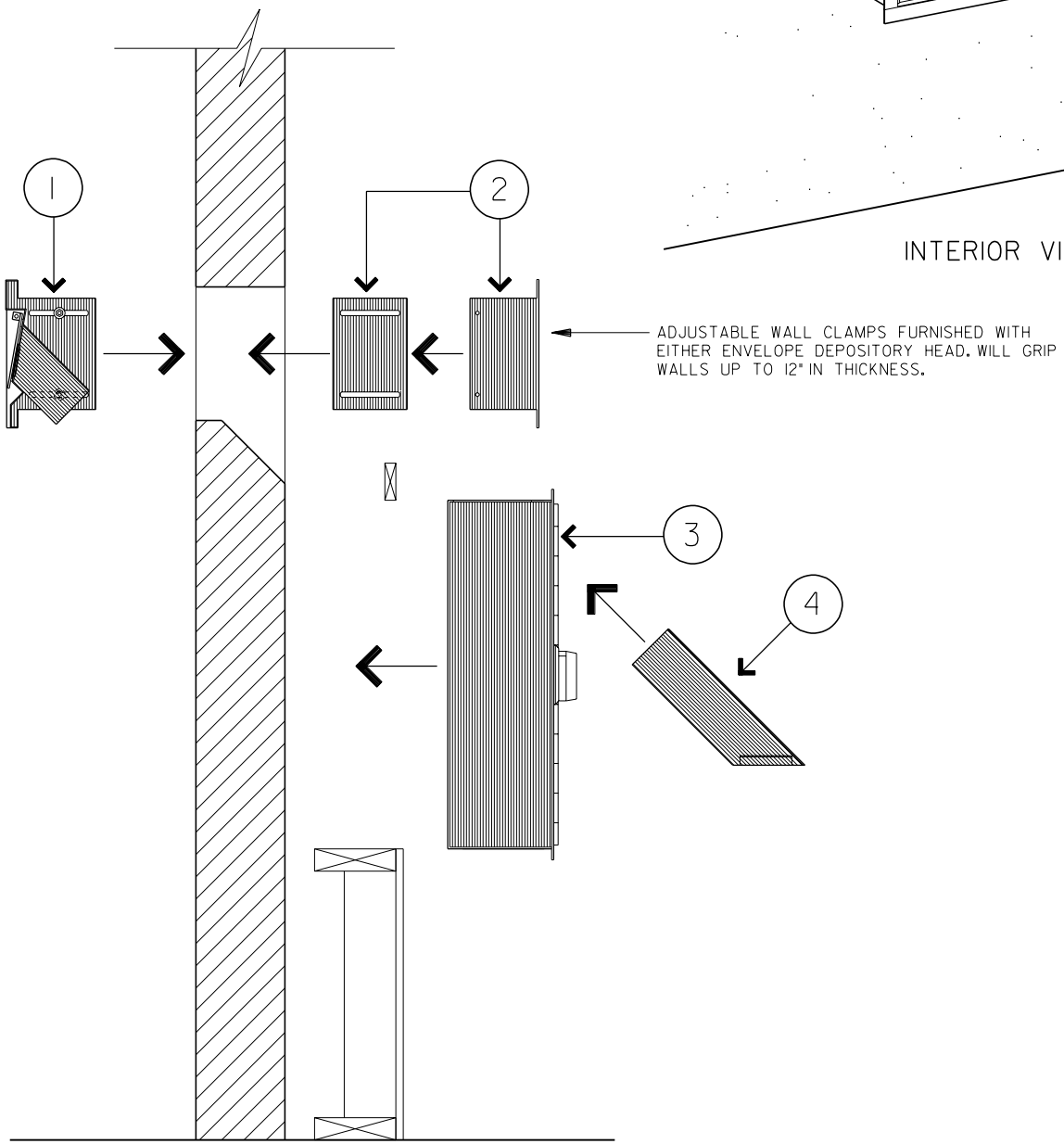
INSTALLATION INSTRUCTIONS

- STEP 1 INSERT ENVELOPE HEAD INTO WALL OPENING FROM CUSTOMER SIDE OF WALL. SHIM AS NECESSARY TO CENTER HEAD IN OPENING AND TO HOLD IT IN POSITION UNTIL ADAPTER WALL CLAMPS ARE ATTACHED.
- STEP 2 ATTACH ADJUSTABLE WALL CLAMPS. USE SPLICE PLATE TO EXTEND CLAMPS FOR WALLS FROM 9" TO 12" IN THICKNESS. WITH HEAD PLUMB AND LEVEL, FIRMLY SNUG CLAMPS TO WALL AND TIGHTEN ALL BOLTS.
- STEP 3 DETERMINE "C" DIMENSION FROM CHART (BASED ON "A" DIMENSION). THIS IS THE REQUIRED LOCATION FOR TOP OF LOCKER. PLACE LOCKER IN WALL OPENING WITH TOP OF LOCKER AT DETERMINED LOCATION. TEMPORARILY SECURE LOCKER IN POSITION WITH SCREWS PROVIDED.
- STEP 4 WITH DOOR OF LOCKER OPEN, INSERT CHUTE THROUGH DOOR OPENING AND EXTEND THROUGH HOLE IN TOP OF LOCKER. SLIP CHUTE OVER MATING PART ON HEAD. DETERMINE AMOUNT OF CHUTE NEEDED FOR YOUR SPECIFIC JOB CONDITIONS. CUT EXCESS MATERIAL OFF SQUARE END OF CHUTE. PERMANENTLY SECURE LOCKER TO WALL. SECURE CHUTE TO LOCKER. SEAL AROUND CHUTE CONNECTION TO HEAD AND LOCKER IF INSTALLATION IS TO BE GROUTED.

DIMENSIONS IN MILLIMETRES
(DIMENSIONS IN INCHES)



INTERIOR VIEW



VERTICAL SECTION