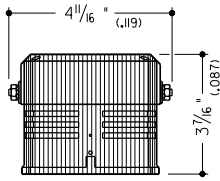
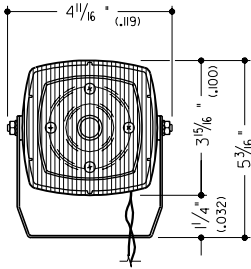


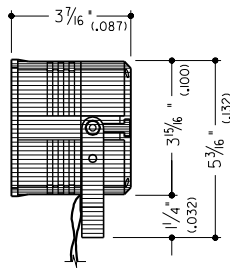
DIMENSIONS IN FEET-INCHES
(DIMENSIONS IN METERS)



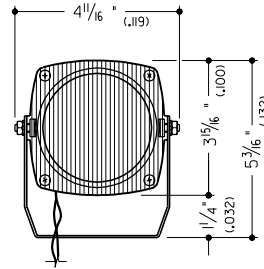
PLAN VIEW



FRONT VIEW



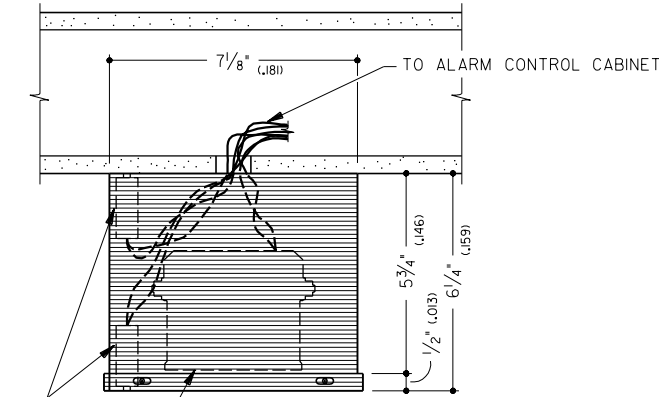
SIDE VIEW



BACK VIEW

INSIDE SIREN

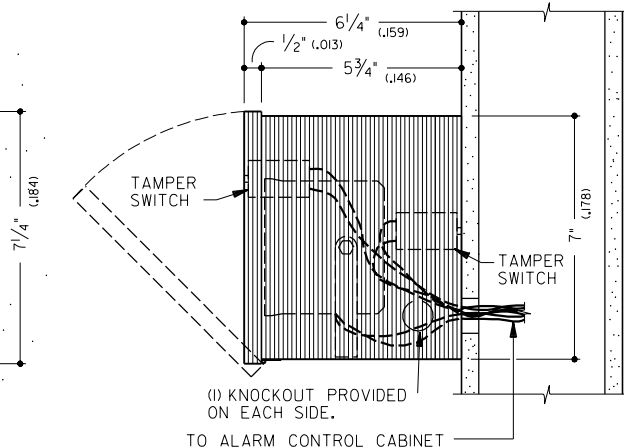
PAGE 1 OF 2



PLAN VIEW

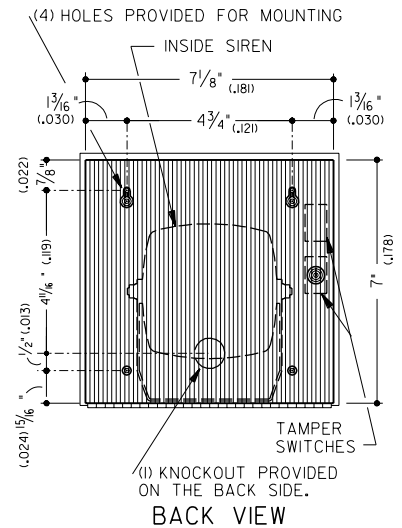
TAMPER SWITCHES

INSIDE SIREN



SIDE VIEW

(1) KNOCKOUT PROVIDED ON EACH SIDE.
TO ALARM CONTROL CABINET



BACK VIEW

(4) HOLES PROVIDED FOR MOUNTING INSIDE SIREN

INSIDE SIREN

TAMPER SWITCHES

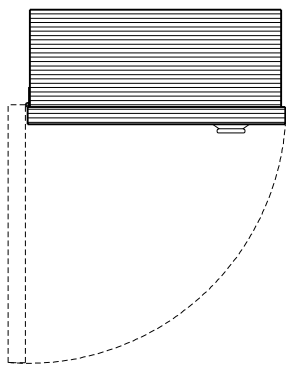
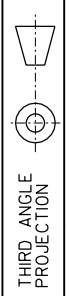
(1) KNOCKOUT PROVIDED ON THE BACK SIDE.

*ALL DIMENSIONS AND DESIGN CRITERIA SUBJECT TO CHANGE WITHOUT NOTICE.

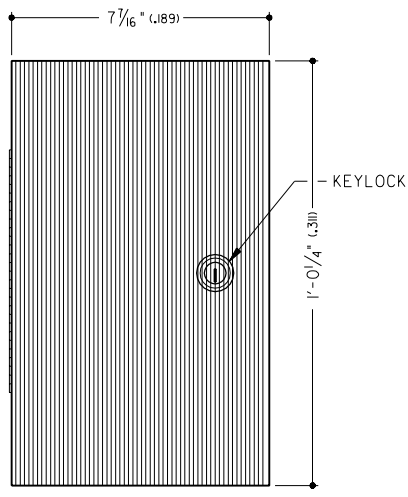
SIREN HOUSING

CALL 1-800-999-3600

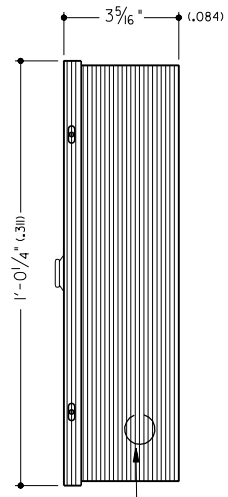
DIMENSIONS IN FEET-INCHES
(DIMENSIONS IN METERS)



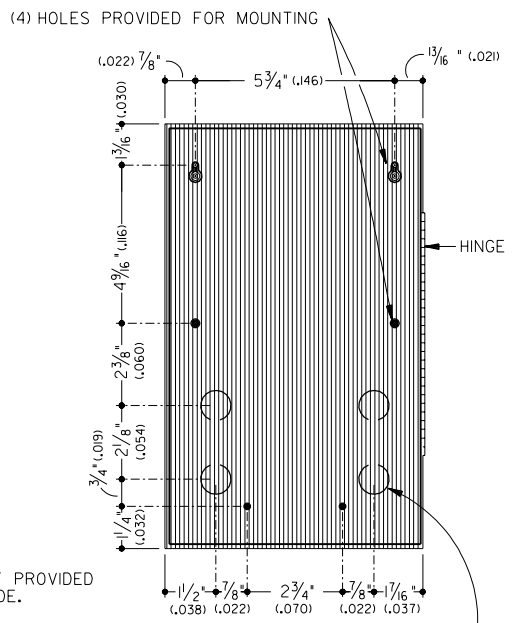
PLAN VIEW



FRONT VIEW



SIDE VIEW



BACK VIEW

□ MULTI-PURPOSE BOX