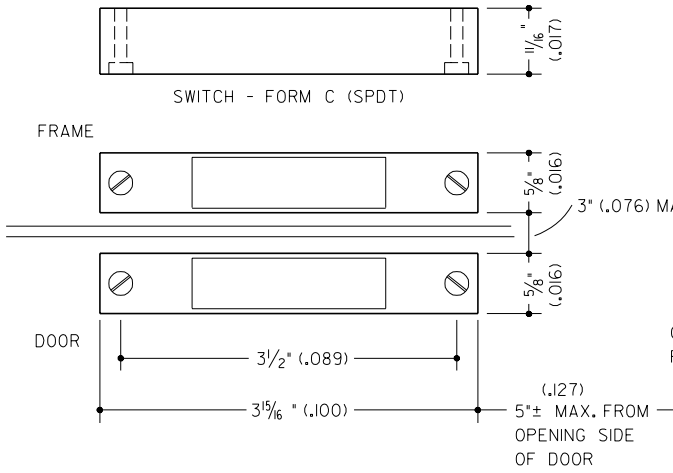


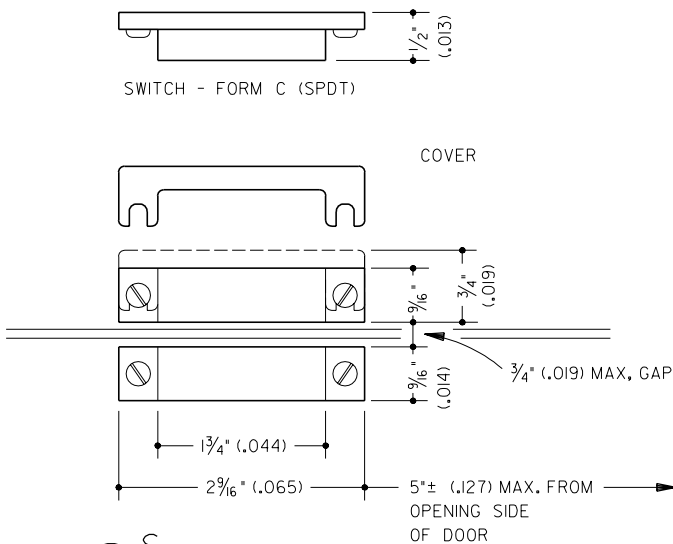
DIMENSIONS IN INCHES
(DIMENSIONS IN METERS)



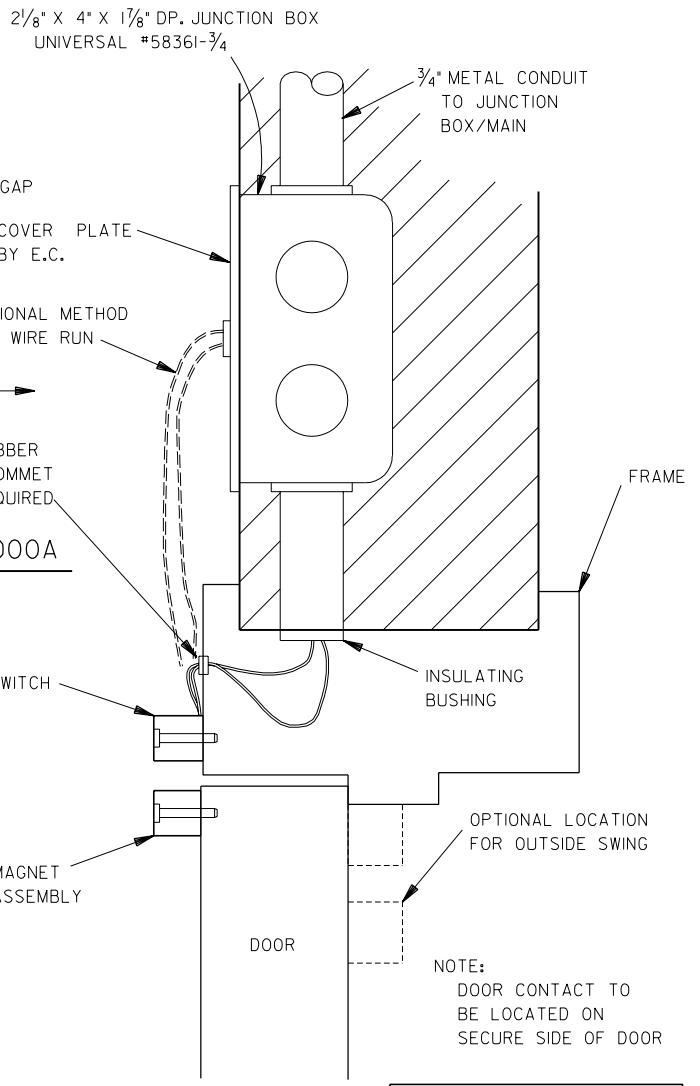
PAGE 1 OF 2



DOOR CONTACT
D2 (WIDE GAP MAGNETIC) 39-005320-000A



DOOR CONTACT
D1 (REGULAR MAGNETIC) 39-004537-000A

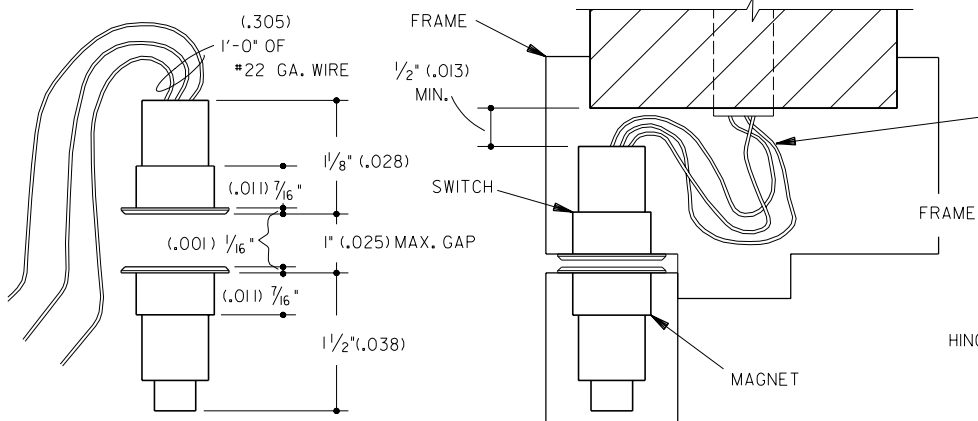


SPECIFICATIONS
MATERIAL : OFF WHITE, GRAY
OR MAHOGANY BROWN ABS PLASTIC

CABLE *TYPE C* IS REQUIRED
(SEE CABLE SCHEDULE
FILE NO. 170-100)

*ALL DIMENSIONS AND DESIGN CRITERIA
SUBJECT TO CHANGE WITHOUT NOTICE.

FILE NO. 170-148 REV. 3

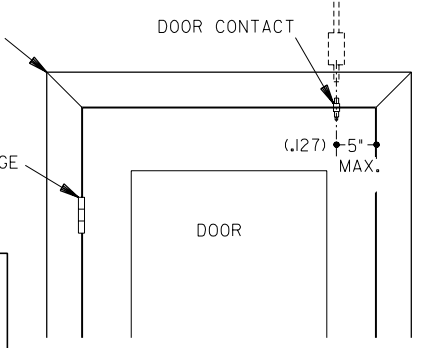


DOOR CONTACT
D3 (RECESSED MAGNETIC) 29-003024-000A

SPECIFICATIONS
MATERIAL : MAHOGANY BROWN
HIGH IMPACT PLASTIC

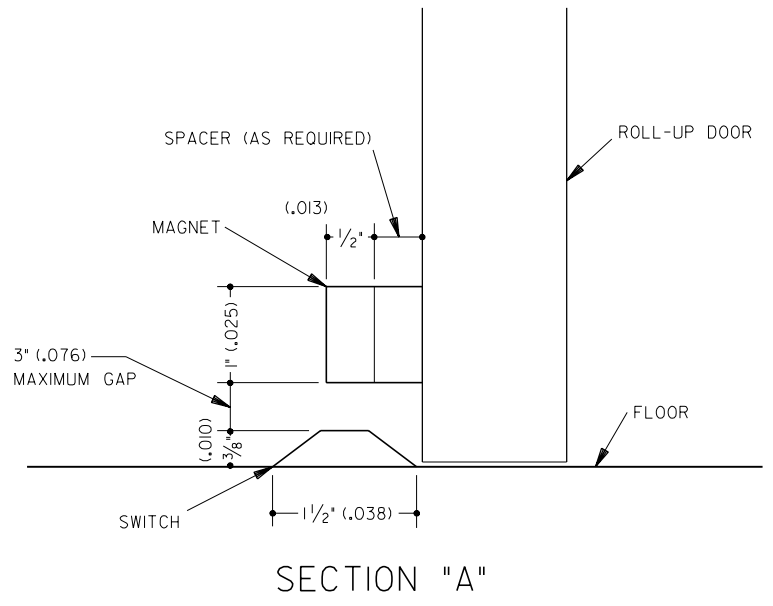
WIRES FISHED THRU WALL
SPACE TO JUNCTION BOX/MAIN

CABLE *TYPE C* IS REQUIRED
(SEE CABLE SCHEDULE
FILE NO. 170-100)



CALL 1-800-999-3600

DIMENSIONS IN INCHES
(DIMENSIONS IN METRES)

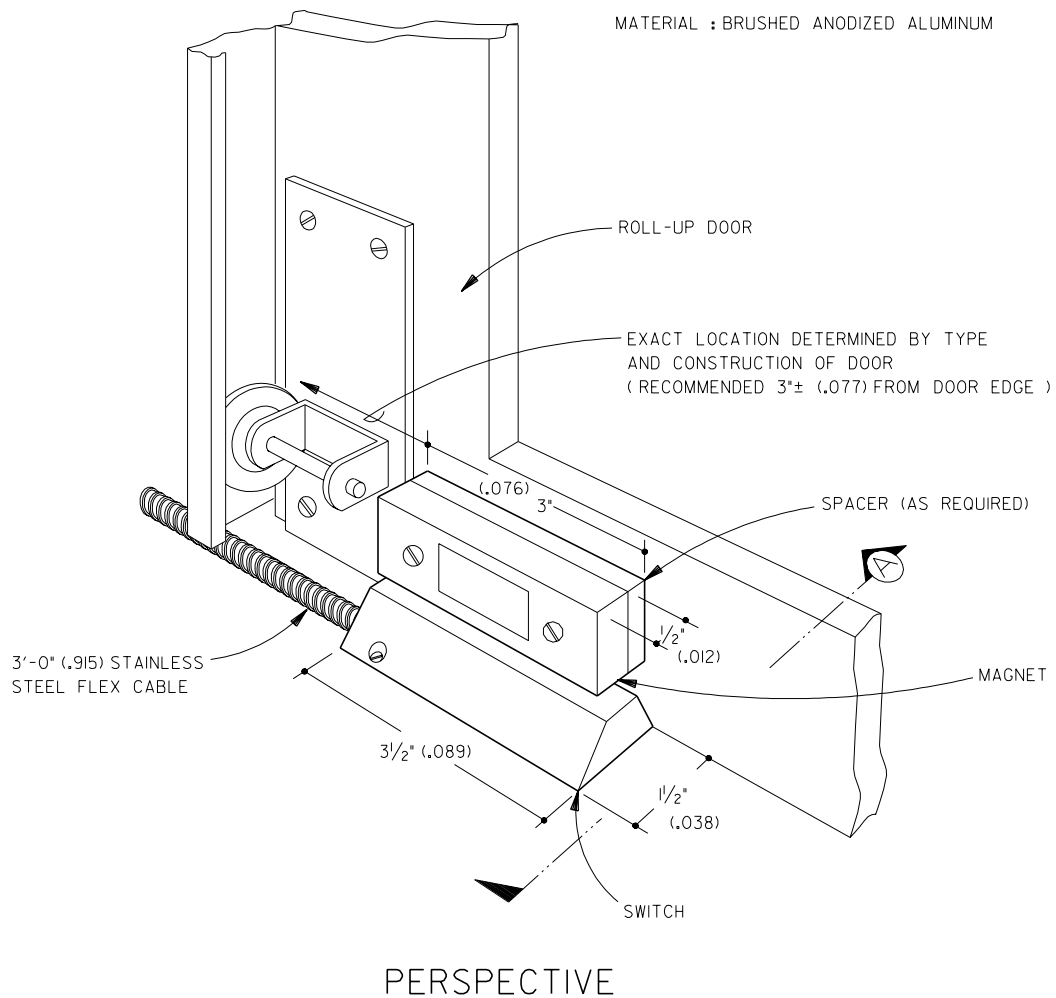


CABLE *TYPE C* IS REQUIRED
(SEE CABLE SCHEDULE
FILE NO. 170-100)

SPECIFICATIONS

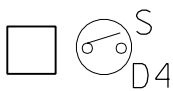
MATERIAL : BRUSHED ANODIZED ALUMINUM

PAGE 2 OF 2



*ALL DIMENSIONS AND DESIGN CRITERIA
SUBJECT TO CHANGE WITHOUT NOTICE.*

FILE NO. 170-148 REV. 3



OVERHEAD DOOR CONTACT
39-005399-000A