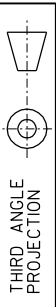


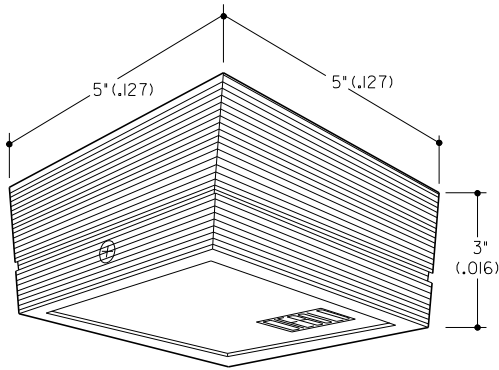
DIMENSIONS IN FEET-INCHES
(DIMENSIONS IN METRES)



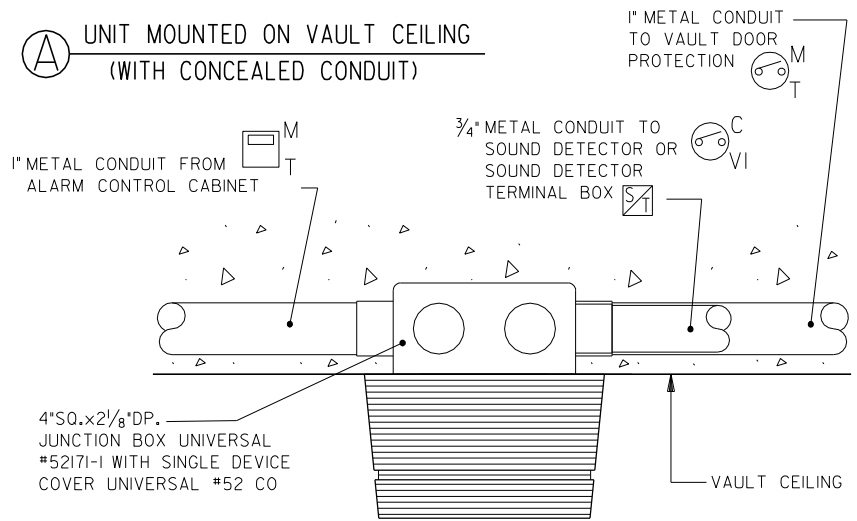
SPECIFICATIONS

MATERIAL: POLYCARBONATE
COLOR: BEIGE

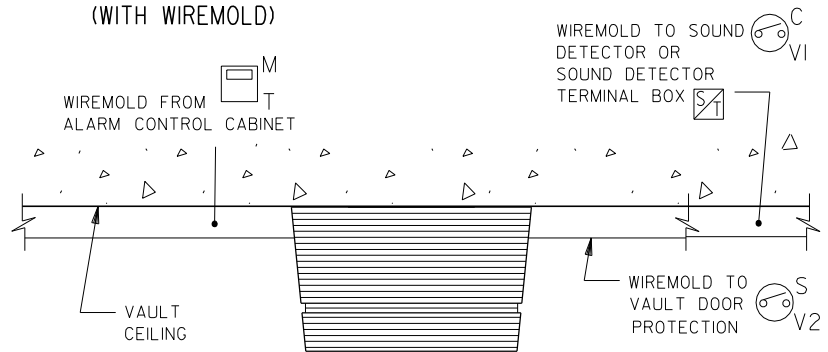
CABLE "TYPE D" IS REQUIRED
SEE CABLE SCHEDULE



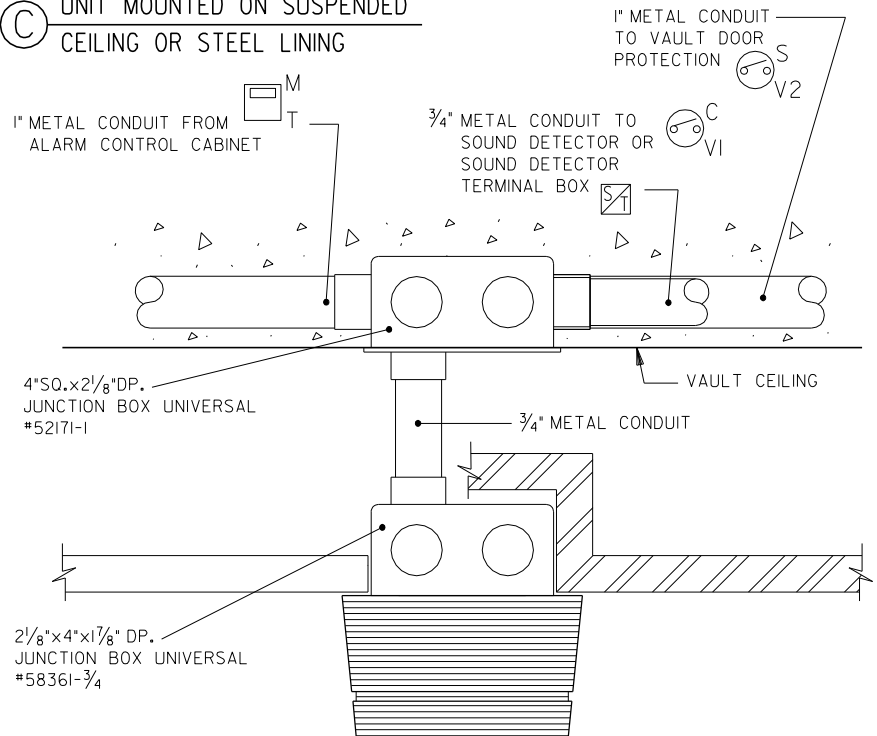
(A) UNIT MOUNTED ON VAULT CEILING (WITH CONCEALED CONDUIT)



(B) UNIT MOUNTED ON VAULT CEILING (WITH WIREMOLD)



(C) UNIT MOUNTED ON SUSPENDED CEILING OR STEEL LINING



NOTES:

1. (1) UNIT WILL ACCOMODATE (4) SOUND DETECTORS (NOT A SOUND DETECTOR IN ITSELF). WHEN MORE THAN (4) UNITS ARE REQUIRED USE A SOUND DETECTOR TERMINAL BOX FOR CONNECTION BETWEEN THE SOUND DETECTOR INTERFACE BOX AND SOUND DETECTORS. LOCATE TO CLEAR VAULT EQUIPMENT IN AN ACCESSIBLE AREA.
2. ALL CONDUITS TO SOUND DETECTOR SHOULD REMAIN WITHIN VAULT STRUCTURE.
3. AT LEAST ONE SOUND DETECTOR INTERFACE BOX IS REQUIRED IN EVERY VAULT WHERE SOUND PROTECTION IS SPECIFIED.

*ALL DIMENSIONS AND DESIGN CRITERIA
SUBJECT TO CHANGE WITHOUT NOTICE.*

FILE NO. 170-119 REV. 3



SOUND DETECTOR INTERFACE BOX

49-004420-000A

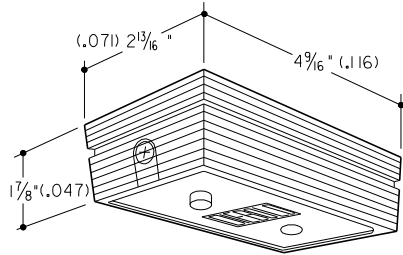


SPECIFICATIONS

MATERIAL: POLYCARBONATE
COLOR: BEIGE

DIMENSIONS IN FEET-INCHES
(DIMENSIONS IN METRES)

CABLE *TYPE C* IS REQUIRED
SEE CABLE SCHEDULE

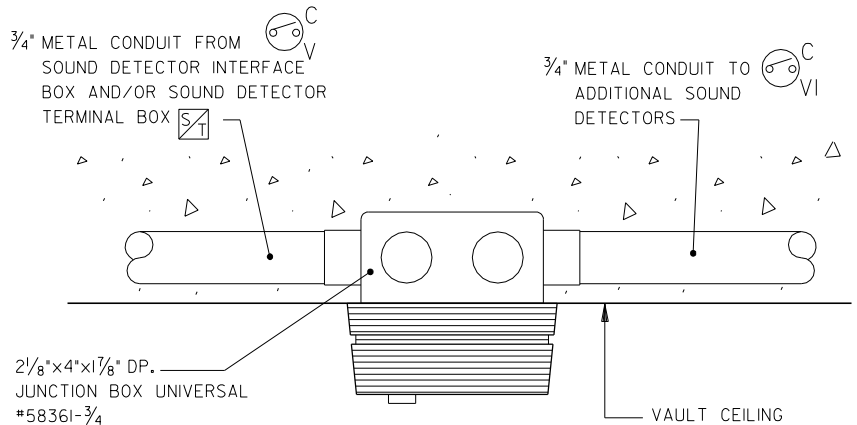


THIRD ANGLE
PROJECTION

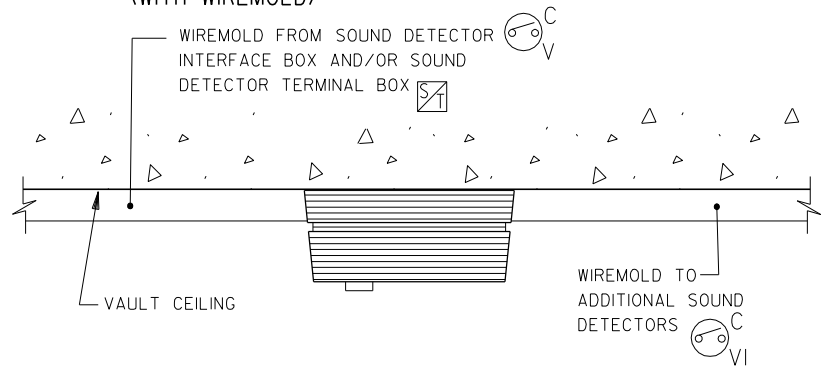
NOTES:

- (1) UNIT PROTECTS 3400 CU. FT. OF OPEN VOLUME. LOCATE TO CLEAR VAULT EQUIPMENT, CLOSE TO ACCESSIBLE CORNERS OF THE VAULT. RECOMMENDED MIN. OF (2) UNITS IN ANY ONE VAULT OR PARTITIONED AREA AND FIGURE EACH AREA INDIVIDUALLY. MAX. 15'-0" FROM WALLS AND 30'-0" CENTER TO CENTER.
- WHEN MORE THAN (4) UNITS ARE REQUIRED USE A SOUND DETECTOR TERMINAL BOX FOR CONNECTION BETWEEN THE SOUND DETECTOR INTERFACE BOX AND SOUND DETECTORS.
- ALL CONDUITS BETWEEN SOUND DETECTORS AND SOUND DETECTOR INTERFACE SHOULD REMAIN WITHIN VAULT STRUCTURE. IF MULTIPLE VAULTS ARE PRESENT AT LEAST ONE SOUND DETECTOR INTERFACE BOX IS REQUIRED IN EACH VAULT NO MATTER HOW MANY SOUND DETECTORS ARE USED.
- SOUND DETECTORS ARE ALSO APPROVED AS COMPLETE MONEY SAFE PROTECTION WHEN USED WITH A DOOR CONTACT AND HEAT THERMO. THESE UNITS MAY NOT BE USED IN A.H.D. OR A.T.M. CHESTS BECAUSE OF THE NOISE GENERATED BY SUCH UNITS.

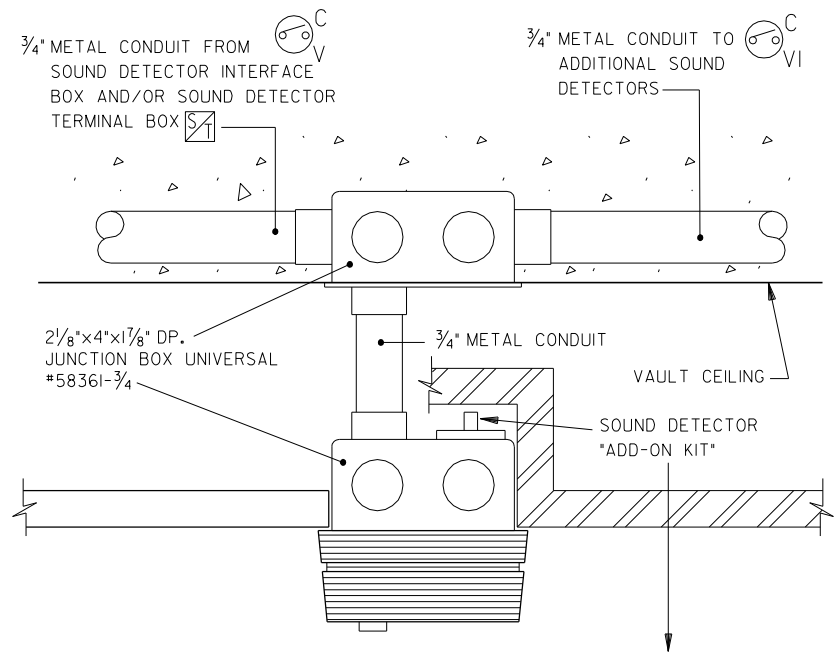
A UNIT MOUNTED ON VAULT CEILING (WITH CONCEALED CONDUIT)



B UNIT MOUNTED ON VAULT CEILING (WITH WIREMOLD)



C UNIT MOUNTED ON SUSPENDED CEILING CEILING OR STEEL LINING



SOUND DETECTOR "ADD-ON KIT"
FOR DEAD AIR SPACE REQUIRED
WITH SUSPENDED CEILING.

CALL 1-800-999-3600

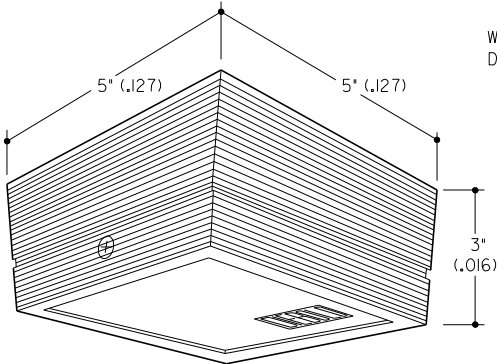
DIMENSIONS IN FEET-INCHES
(DIMENSIONS IN METRES)



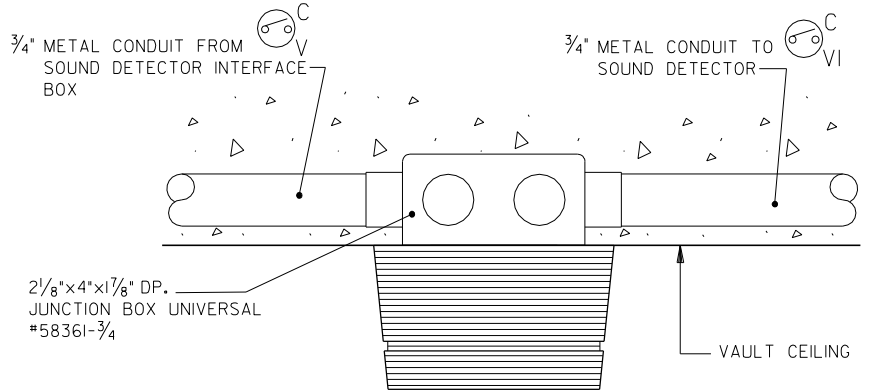
SPECIFICATIONS

MATERIAL: POLYCARBONATE
COLOR: BEIGE

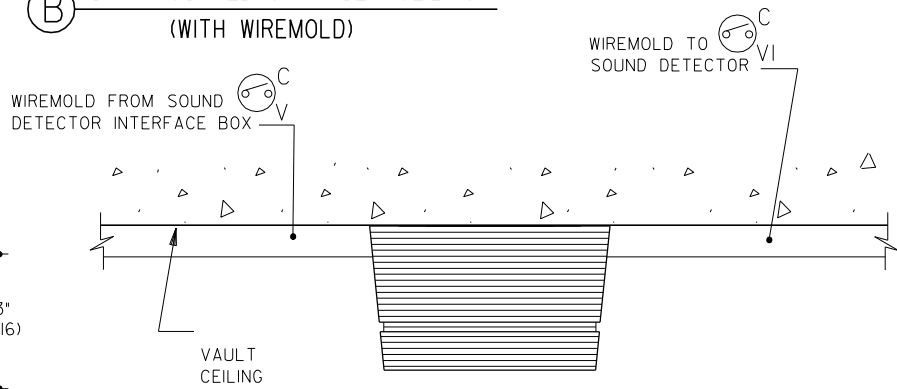
CABLE *TYPE C* IS REQUIRED
SEE CABLE SCHEDULE



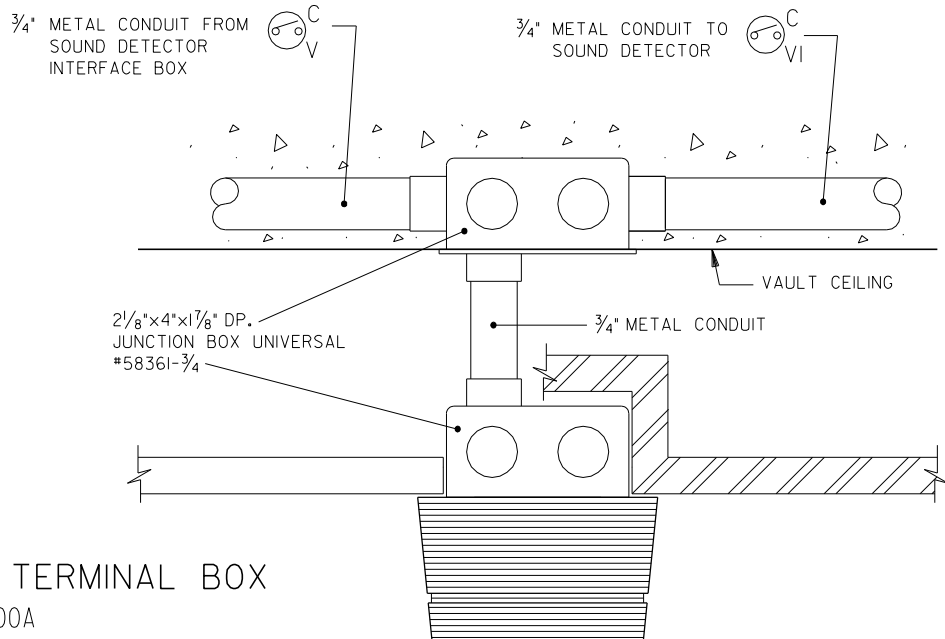
(A) UNIT MOUNTED ON VAULT CEILING (WITH CONCEALED CONDUIT)



(B) UNIT MOUNTED ON VAULT CEILING (WITH WIREMOLD)



(C) UNIT MOUNTED ON SUSPENDED CEILING OR STEEL LINING

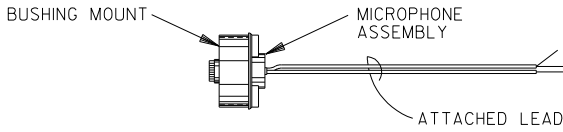


NOTES:

1. REQUIRED ONLY WHEN MORE THAN (4) SOUND DETECTORS ARE USED.
2. (1) UNIT WILL ACCOMMODATE (6) SOUND DETECTORS (NOT A SOUND DETECTOR ITSELF) LOCATE TO CLEAR VAULT EQUIPMENT IN AN ACCESSIBLE AREA.

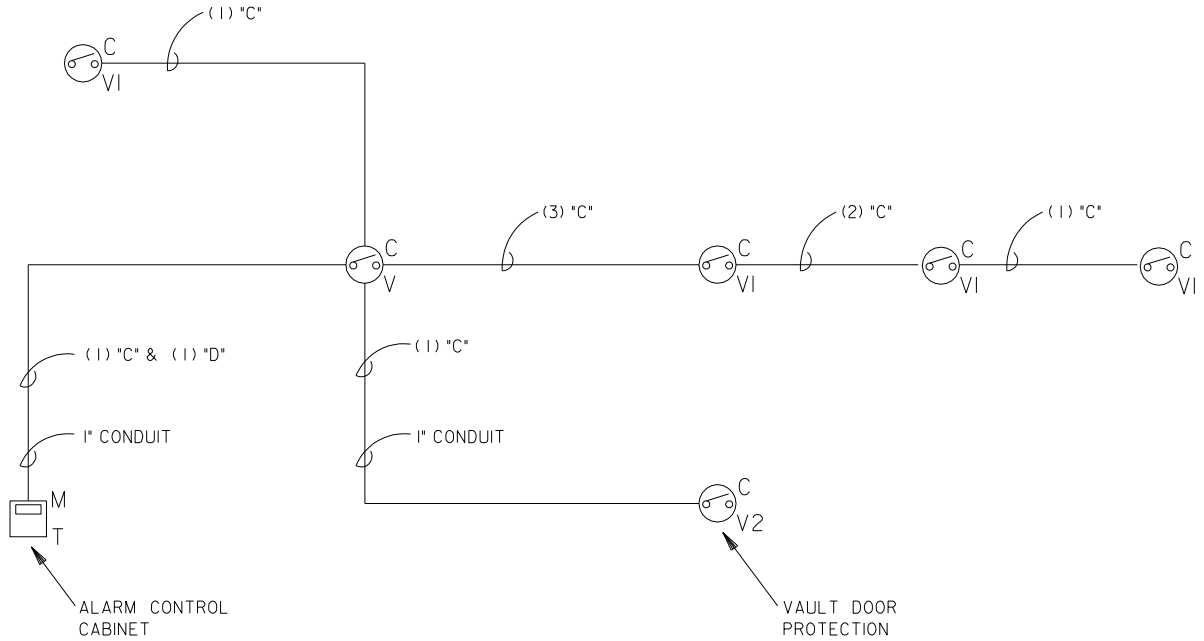
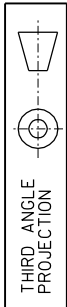
SOUND DETECTOR TERMINAL BOX

39-002256-000A



SOUND DETECTOR ADD-ON KIT
29-001956-000A

DIMENSIONS IN FEET-INCHES
(DIMENSIONS IN METRES)

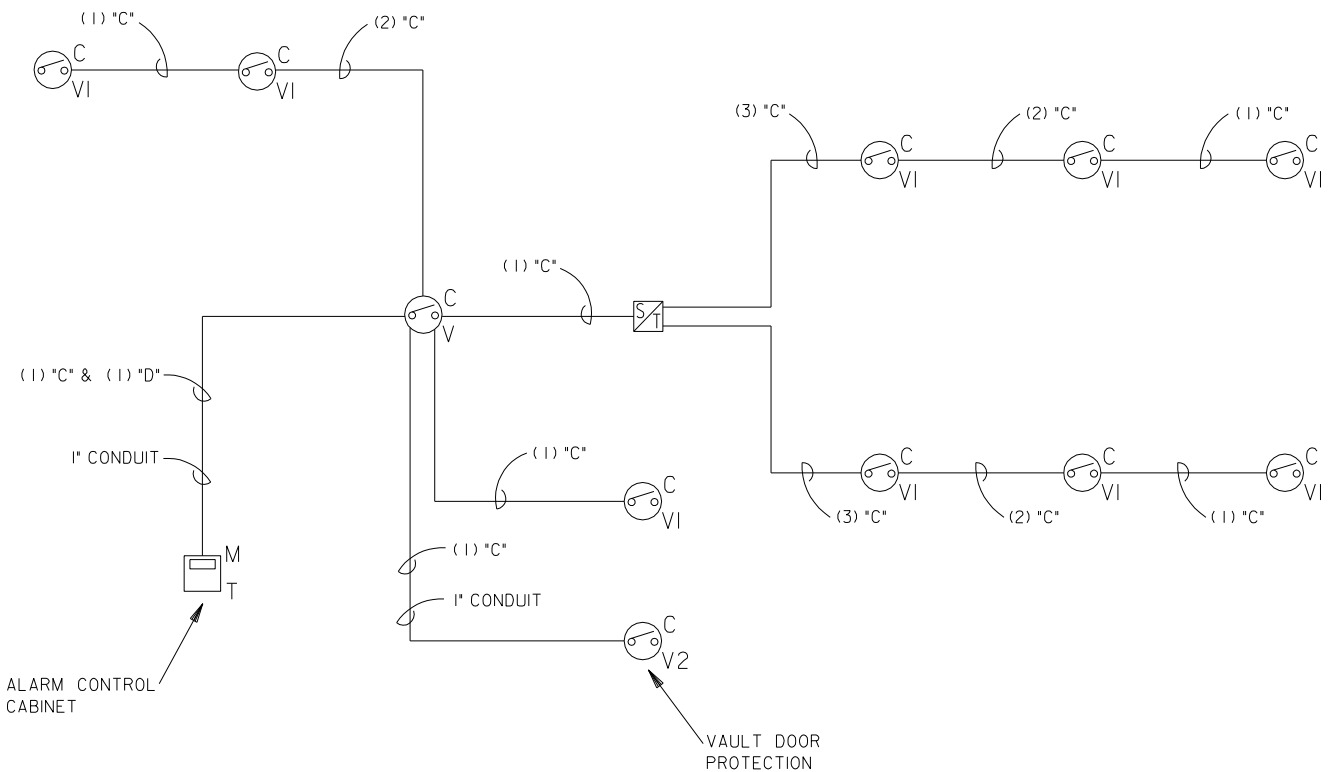


SCHMATIC FOR 1 TO 4 SOUND DETECTORS

PAGE 4 OF 4

*ALL DIMENSIONS AND DESIGN CRITERIA
SUBJECT TO CHANGE WITHOUT NOTICE.*

FILE NO. 170-119 REV. 3



SCHMATIC FOR 5 TO 9 SOUND DETECTORS