

SPECIFICATIONS

MATERIAL: BEIGE POLYCARBONATE
(FOR INTERIOR USE ONLY)

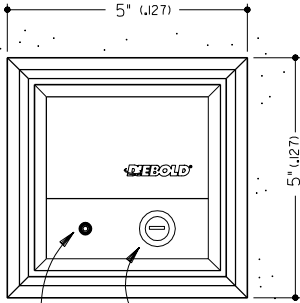
CABLE TYPE "D" IS REQUIRED
SEE CABLE SCHEDULE
FILE NO. 170-100

3/4" METAL CONDUIT TO
JUNCTION BOX/MAIN OR
ALARM CONTROL CABINET

3/4" METAL CONDUIT TO
PLUG-IN TRANSFORMER (16 VAC)

CABLE "TYPE G" IS REQUIRED
TO TRANSFORMER. SEE CABLE
SCHEDULE FILE NO. 170-100

EXPOSED WIREMOLD
OR CONDUIT

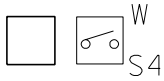


L.E.D. (PROTECTION
"ON" INDICATOR)

KEY SWITCH

4" SQ. X 2 1/8" DP. JUNCTION BOX
UNIVERSAL #52171-3/4 WITH 52CO.
SINGLE DEVICE COVER

DIMENSIONS IN FEET-INCHES
(DIMENSIONS IN METRES)

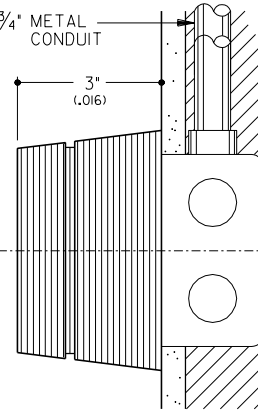


KEYLOCK CONTROL SWITCH
(19-013150-000A)

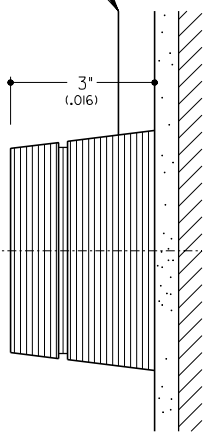
NOTE: A SPECIAL BRACKET
(39-2028A) MUST BE USED
FOR SEMI-FLUSH MOUNT



SEMI-FLUSH
MOUNTED
(WITH METAL CONDUIT)

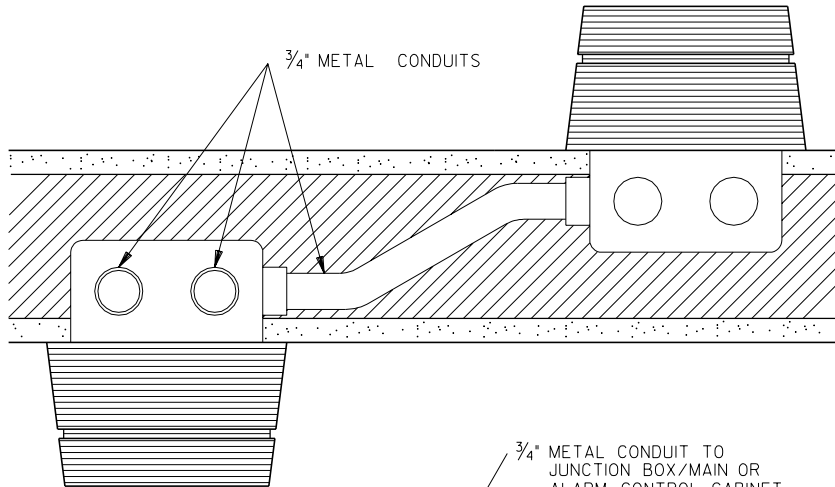


SURFACE
MOUNTED
(WITH METAL CONDUIT)

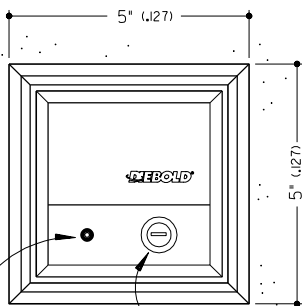


SURFACE
MOUNTED
(WITH WIREMOLD)

LOCATE 3'-9" (1,143)
ABOVE FIN. FLOOR
(MEETS ADA REQUIREMENTS)



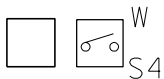
TOP VIEW



L.E.D. (PROTECTION
"ON" INDICATOR)

KEY SWITCH

FRONT VIEW



KEYLOCK CONTROL SWITCH (THREE WAY)
(19-013150-000B)

3/4" METAL CONDUIT TO
JUNCTION BOX/MAIN OR
ALARM CONTROL CABINET

3/4" METAL CONDUIT TO
PLUG-IN TRANSFORMER (16VAC)

OUTLINE OF
HOUSING

3/4" METAL CONDUIT TO
KEYLOCK CONTROL SWITCH
JUNCTION BOX

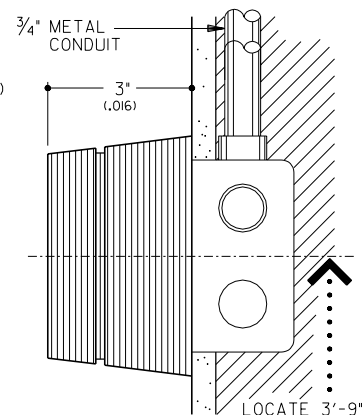
4" SQ. X 2 1/8" DP. JUNCTION BOX
UNIVERSAL #52171-3/4 WITH 52CO.
SINGLE DEVICE COVER

SPECIFICATIONS

MATERIAL: BEIGE POLYCARBONATE
(FOR INTERIOR USE ONLY)

CABLE TYPE "D" IS REQUIRED
SEE CABLE SCHEDULE
FILE NO. 170-100

CABLE "TYPE G" IS REQUIRED
TO TRANSFORMER. SEE CABLE
SCHEDULE FILE NO. 170-100



SURFACE
MOUNTED
(WITH METAL CONDUIT)

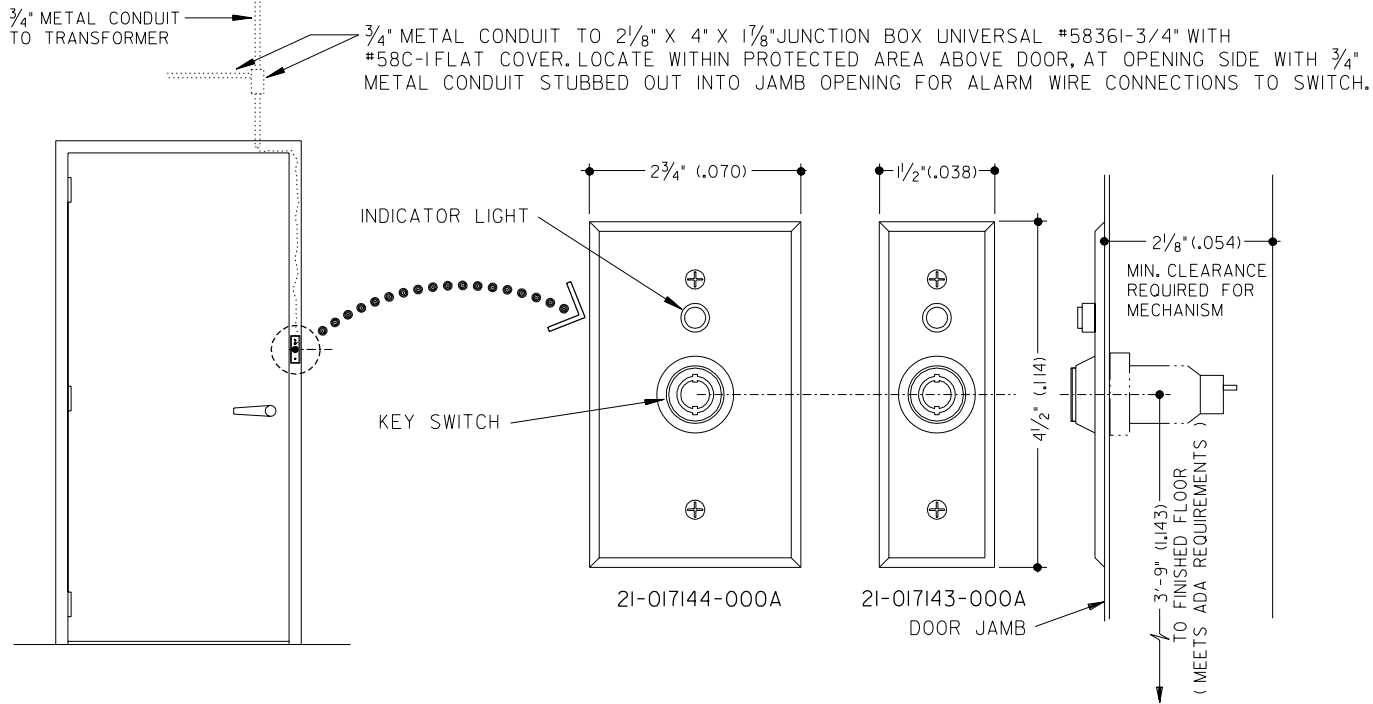
SIDE VIEW

LOCATE 3'-9" (1,143)
ABOVE FIN. FLOOR
(MEETS ADA REQUIREMENTS)



SPECIFICATIONS

MATERIAL: STAINLESS STEEL FACE PLATE
CUT OUT: 1/4" X 2 5/8" (.031 x .066) IN JAMB



EXTERIOR ELEVATION

FRONT VIEW

SIDE VIEW

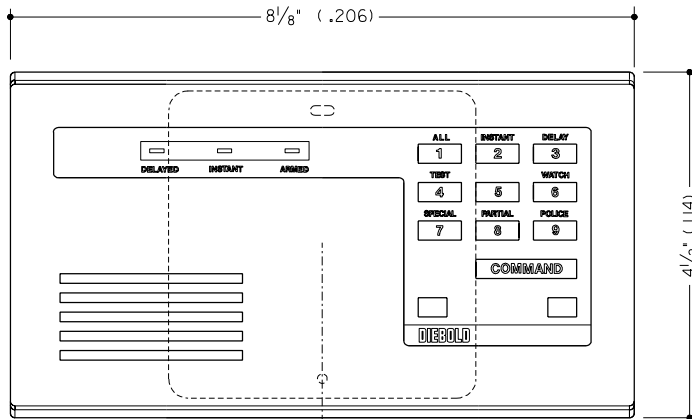
S
S2 DOOR SHUNT SWITCH (BARREL TYPE LIGHTED)

CABLE TYPE "C" IS REQUIRED FOR CABLE SPECIFICATIONS SEE CABLE SCHEDULE FILE NO. 170-100.

SPECIFICATIONS

MATERIAL: HIGH IMPACT PLASTIC
COLOR: OFF-WHITE
WEIGHT: 1 LB. (.45 kg.)
POWER: 12 VDC FROM CONTROL PANEL
CURRENT: IDLE 20 ma
MAXIMUM 100 ma

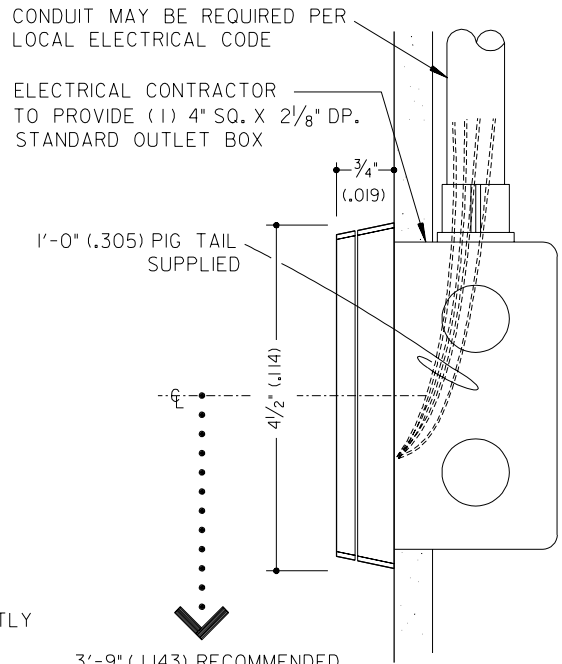
ONE INSTANT AND ONE DLEAY LOOP
NON-PROGRAMMABLE 60 SEC. EXIT DELAY
NON-PROGRAMMABLE 30 SEC. ENTRY DELAY
FORM C RELAY CONTACT OUTPUT ON ALARM (EXCEPT PANIC)
ONE USER PASSCODE
LED ANNUNCIATION OF DELAY AND INSTANT LOOP



COMMAND CENTER IS MOUNTED DIRECTLY TO THE STANDARD OUTLET BOX.

CABLE TYPE "C" IS REQUIRED FOR CABLE SPECIFICATIONS SEE CABLE SCHEDULE FILE NO. 170-100.

FRONT VIEW



SIDE VIEW



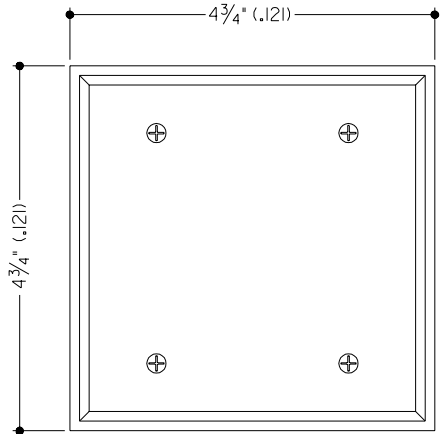
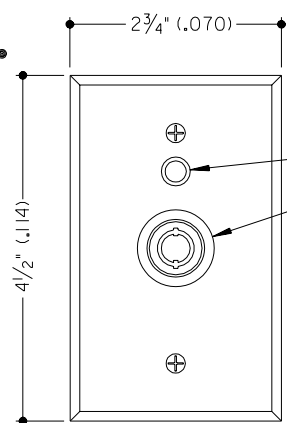
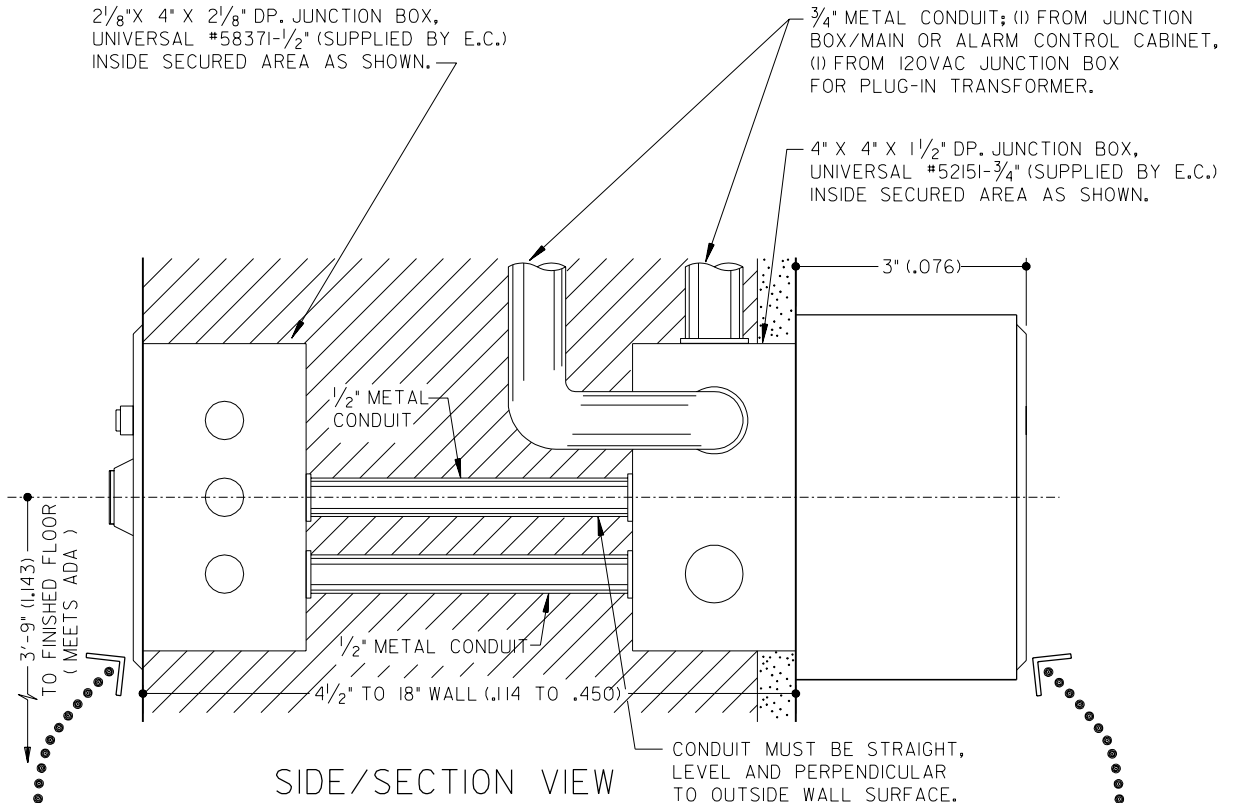
ENTRY-EXIT KEYPAD (D279) (I9-036202-00A)

DIMENSIONS IN FEET-INCHES (DIMENSIONS IN METRES)



CALL 1-800-999-3600

DIMENSIONS IN FEET-INCHES
(DIMENSIONS IN METRES)



EXTERIOR FRONT VIEW

**INTERIOR REAR VIEW
(SECURED SIDE)**

SPECIFICATIONS
MATERIAL : STAINLESS STEEL
FACE PLATE

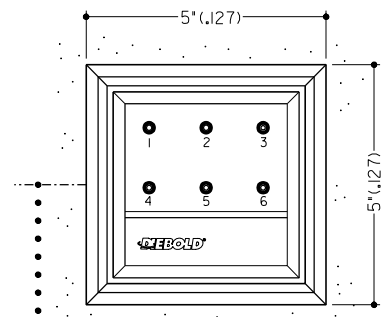
SPECIFICATIONS
MATERIAL : METAL BOX WITH
STAINLESS STEEL
FACE PLATE

CABLE TYPE "D" AND TYPE "A" ARE REQUIRED
SEE CABLE SCHEDULE

^W
_{S3} HIGH SECURITY SHUNT SWITCH 19-017123-000A
(THROUGH WALL)



DIMENSIONS IN FEET-INCHES
(DIMENSIONS IN METRES)



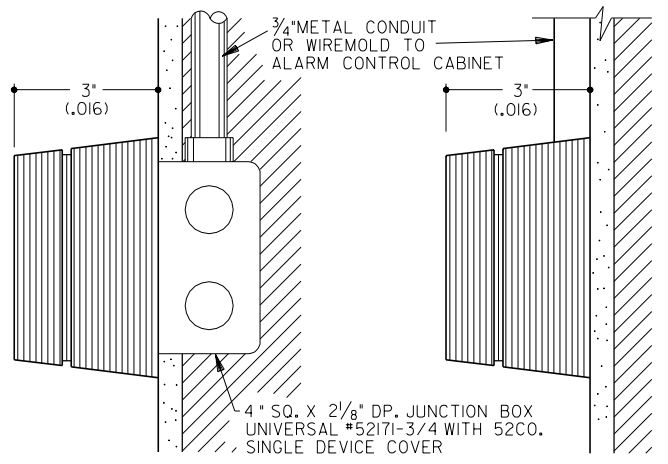
FRONT VIEW

S
L3 ANNUNCIATOR DISPLAY (6 ZONE)
(39-008171-000A)

SPECIFICATIONS
MATERIAL: BEIGE POLYCARBONATE

- NOTES:**
- 1. KEEP AWAY FROM PUBLIC VIEW. (IF HOLD-UP IS ANNUNCIATED)
 - 2. 200 FT. MAX. CABLE LENGTH BETWEEN ANNUNCIATOR AND ALARM CONTROL CABINET.
 - 3. ANNUNCIATOR REQUIRED FOR ALL U.L. CERTIFIED INSTALLATIONS.

CABLE TYPE "D" IS REQUIRED
SEE CABLE SCHEDULE
FILE NO. I70-100



SURFACE MOUNT
(WITH CONCEALED CONDUIT) SURFACE MOUNT
(WITH EXPOSED WIREMOLD)

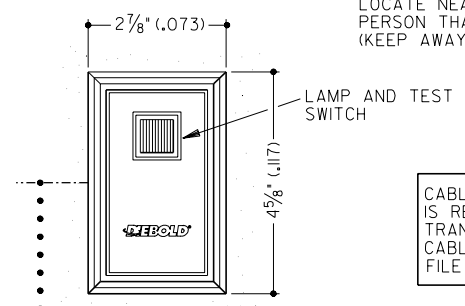
SIDE/SECTION VIEW

THIRD ANGLE
PROJECTION

SPECIFICATIONS

MATERIAL: BEIGE POLYCARBONATE

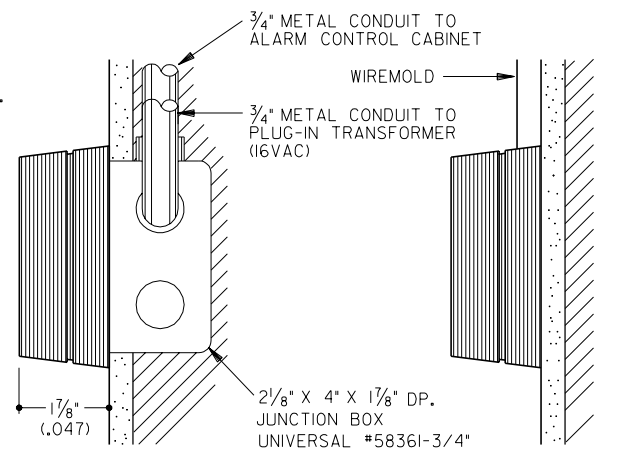
NOTE:
LOCATE NEAR GUARD OR RESPONSIBLE PERSON THAT WILL RESPOND TO SIGNAL. (KEEP AWAY FROM PUBLIC VIEW)



FRONT VIEW

S
L2 AUXILIARY ALARM LAMP
(39-007541-000A)

CABLE TYPE "C" & "G" IS REQUIRED
SEE CABLE SCHEDULE
FILE NO. I70-100



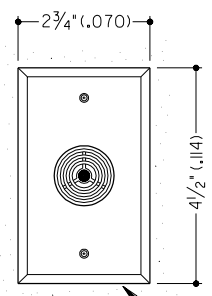
SURFACE MOUNT
(WITH CONCEALED CONDUIT) SURFACE MOUNT
(WITH EXPOSED WIREMOLD)

SIDE/SECTION VIEW

PAGE 4 OF 4

SPECIFICATIONS

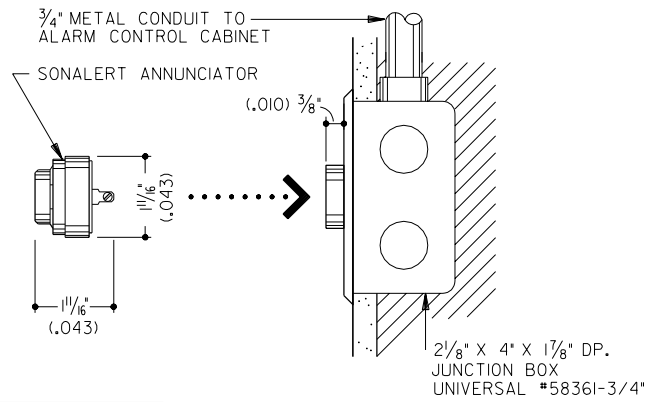
MATERIAL: ANNUNCIATOR-BLACK POLYCARBONATE
COVER PLATE: STAINLESS STEEL
SOUND LEVEL: 60-80 DB
INPUT VOLTAGE: 6-28 VDC, 14 MA



FRONT VIEW

S
S REMOTE SONALERT
(19-011565-000A)

CABLE TYPE "A" IS REQUIRED
SEE CABLE SCHEDULE
FILE NO. I70-100



SIDE/SECTION VIEW

*ALL DIMENSIONS AND DESIGN CRITERIA
SUBJECT TO CHANGE WITHOUT NOTICE.

FILE NO. I70-113 REV. 4