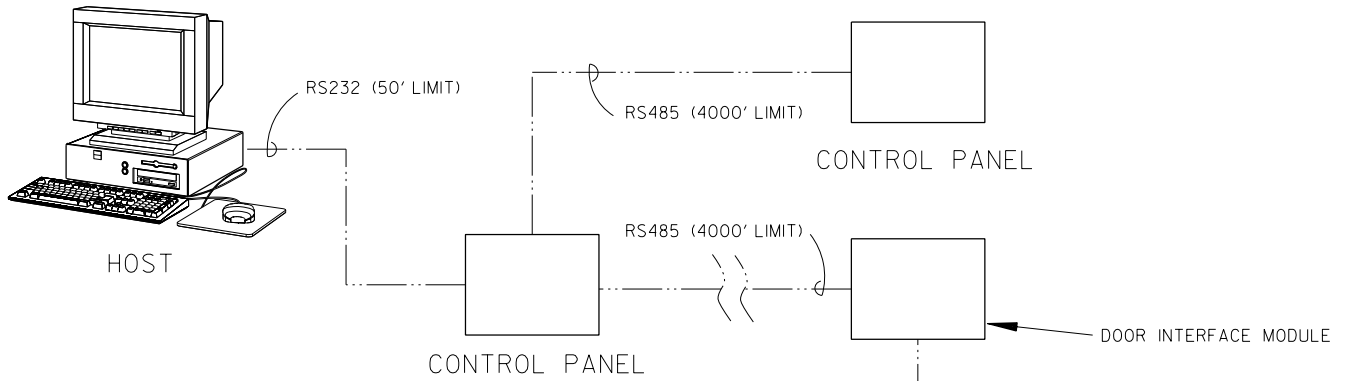
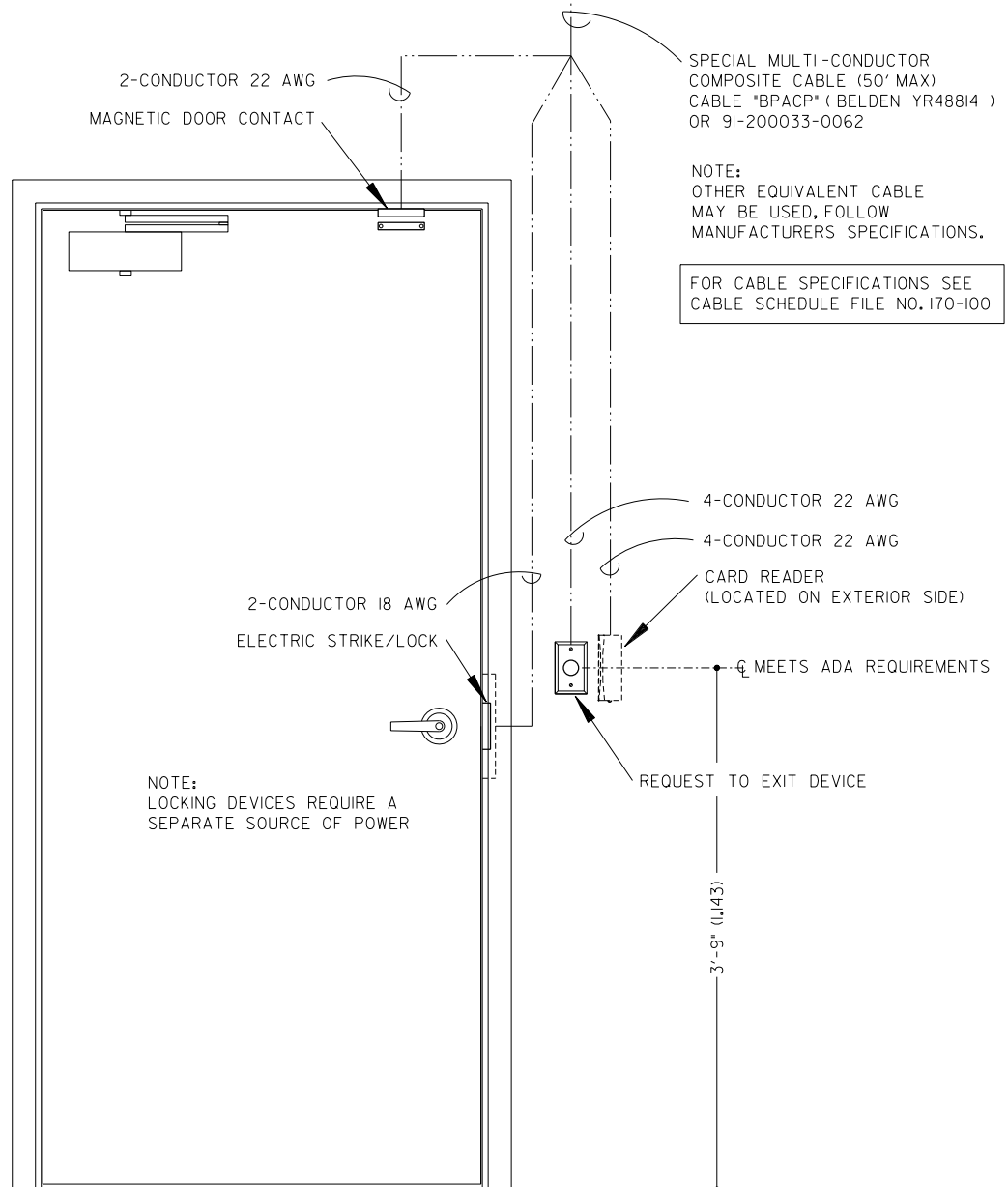


DIMENSIONS IN FEET-INCHES
(DIMENSIONS IN METRES)



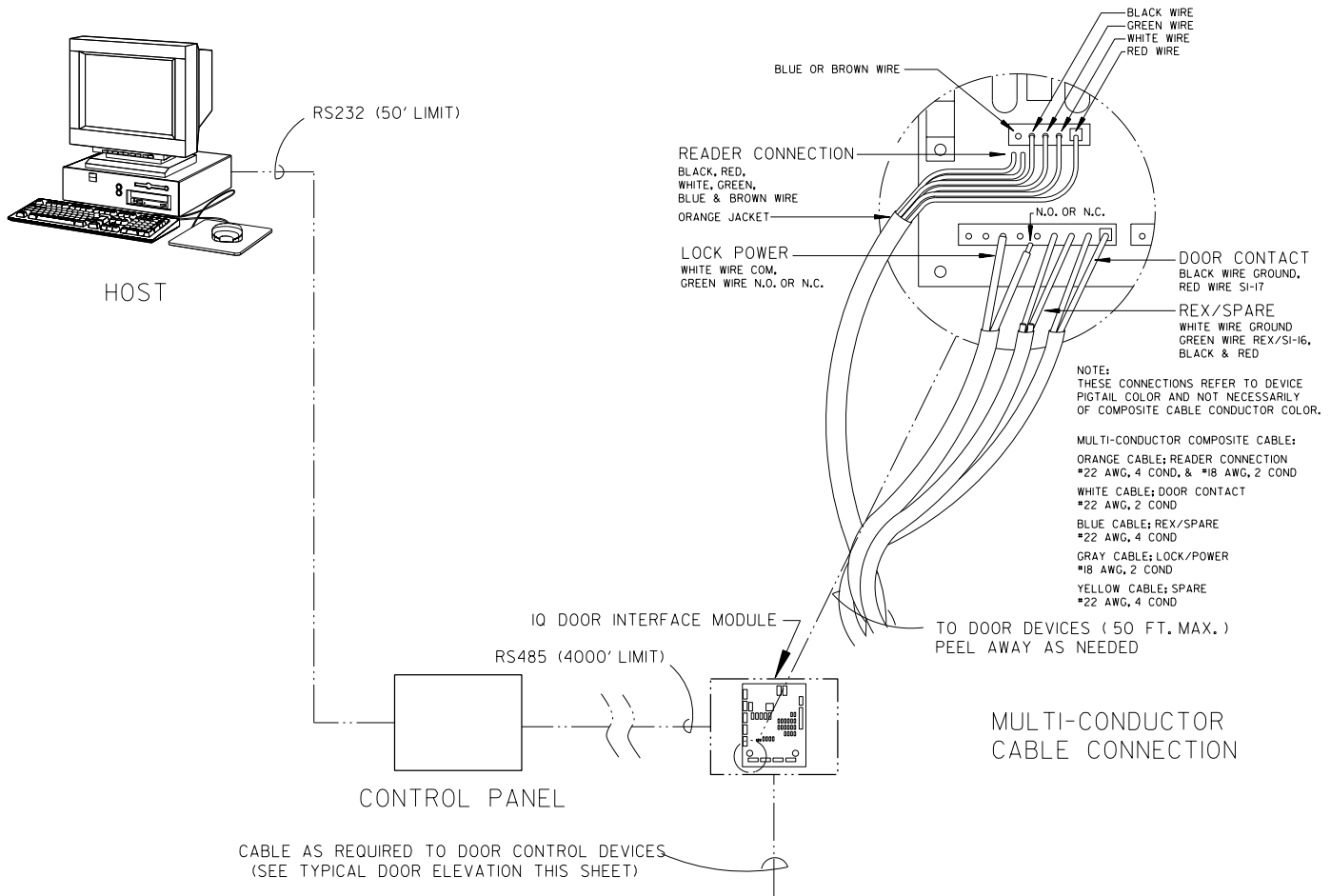
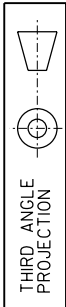
SIMPLIFIED DOOR CONTROLLER CONFIGURATION

THIRD ANGLE
PROJECTION



DOOR ELEVATION
INTERIOR VIEW

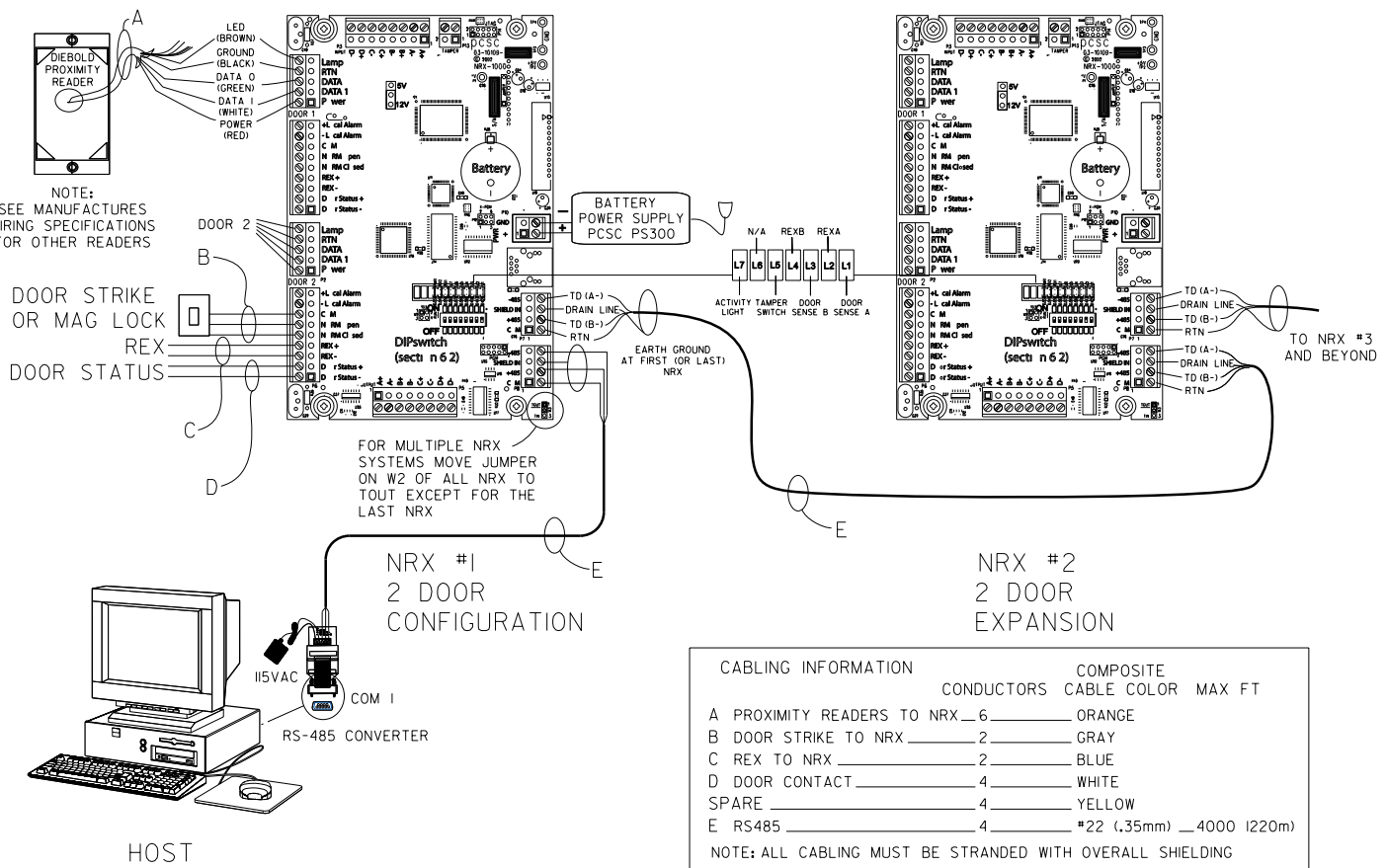
DIMENSIONS IN FEET-INCHES
(DIMENSIONS IN METRES)



PCSC 4 TO 16 DOOR ACCESS CONTROL SYSTEMS

PAGE 2 OF 2

*ALL DIMENSIONS AND DESIGN CRITERIA
SUBJECT TO CHANGE WITHOUT NOTICE.*



LINC EZ ACCESS CONTROL SYSTEM

FILE NO. 170-399 REV. 1