

CALL 1-800-999-3600

LLENL KIT:

LNL-1000 (19-055152-000A)

FOUR DOWNSTREAM 2-WIRE RS-485 CHANNELS OR TWO 4-WIRE RS-485 CHANNELS.
UP TO 64 READERS OR 32 DEVICES ON A SINGLE INTELLIGENT SYSTEM CONTROLLER.

SPECIFICATIONS

CONSTRUCTION	16 GAUGE STEEL GLOSS GRAY
WEIGHT	20 LBS. (9.07 KG) WITH BATT/HARDWARE
POWER SOURCE INPUT	120VAC, 50/60HZ, 1.45 AMP
POWER SUPPLY OUTPUT VOLTAGE	12VDC, 4 AMPS 24VDC, 3 AMPS
TEMPERATURE	32°F TO 158°F (0°C TO 70°C)

TAMPER SWITCH PROVIDED W/ENCLOSURE.

INSTALLATION NOTES

MOUNTING HARDWARE TO BE COMPATIBLE WITH WALL CONSTRUCTION AND ADEQUATE TO SUPPORT WEIGHT OF UNIT.

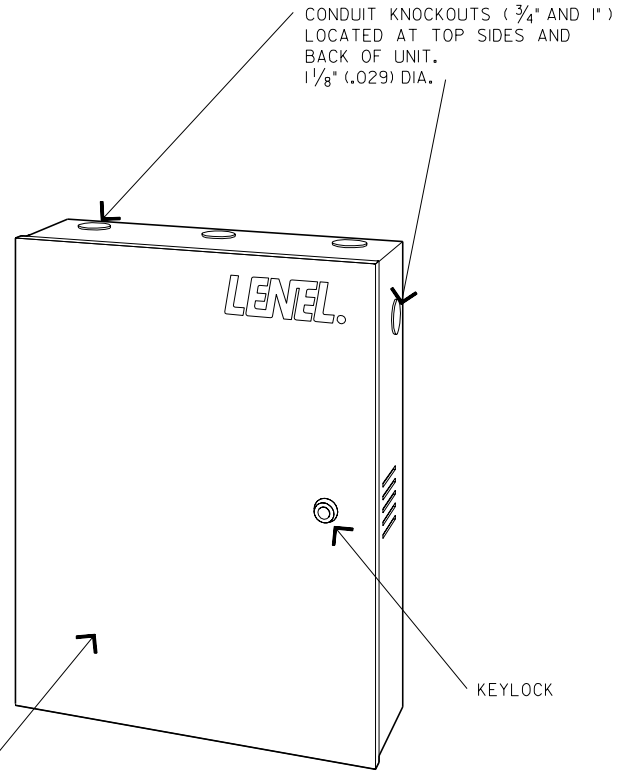
REFERENCE INSTALLATION MANUAL FOR PROPER METHOD OF INSTALLATION.

CONTACT LOCAL SALES/SERVICE FOR VARIOUS MODEL AND APPLICATION NEEDS.

DIMENSIONS IN FEET-INCHES
(DIMENSIONS IN METRES)

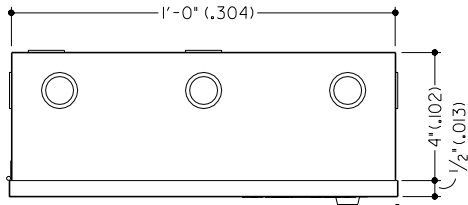


THIRD ANGLE
PROJECTION



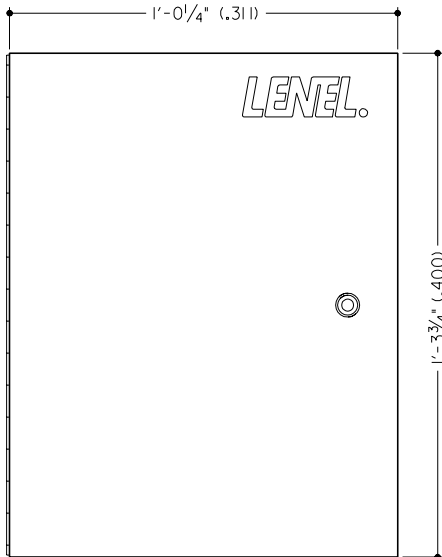
ENCLOSURE (ONLY)
LNL-CTX (19-055185-000A)
LARGE ENCLOSURE (OPTIONAL)
LNL-CTX-6 (19-055186-000A)

PERSPECTIVE

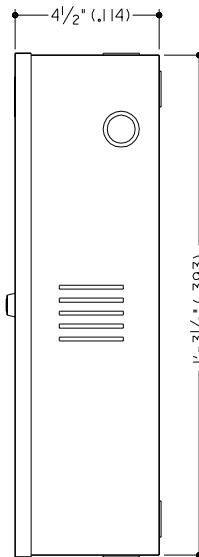


PLAN VIEW

DOOR SWING

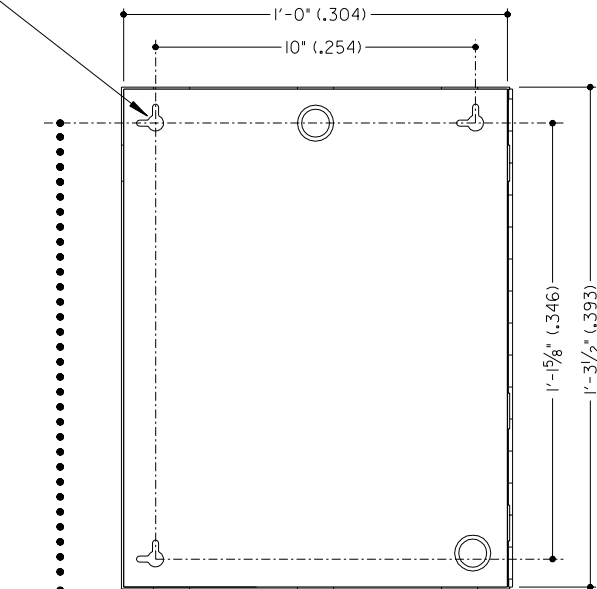


FRONT VIEW



SIDE VIEW

(3) 3/16\"/>



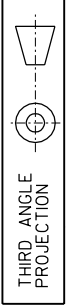
BACK VIEW

5'-6\"/>



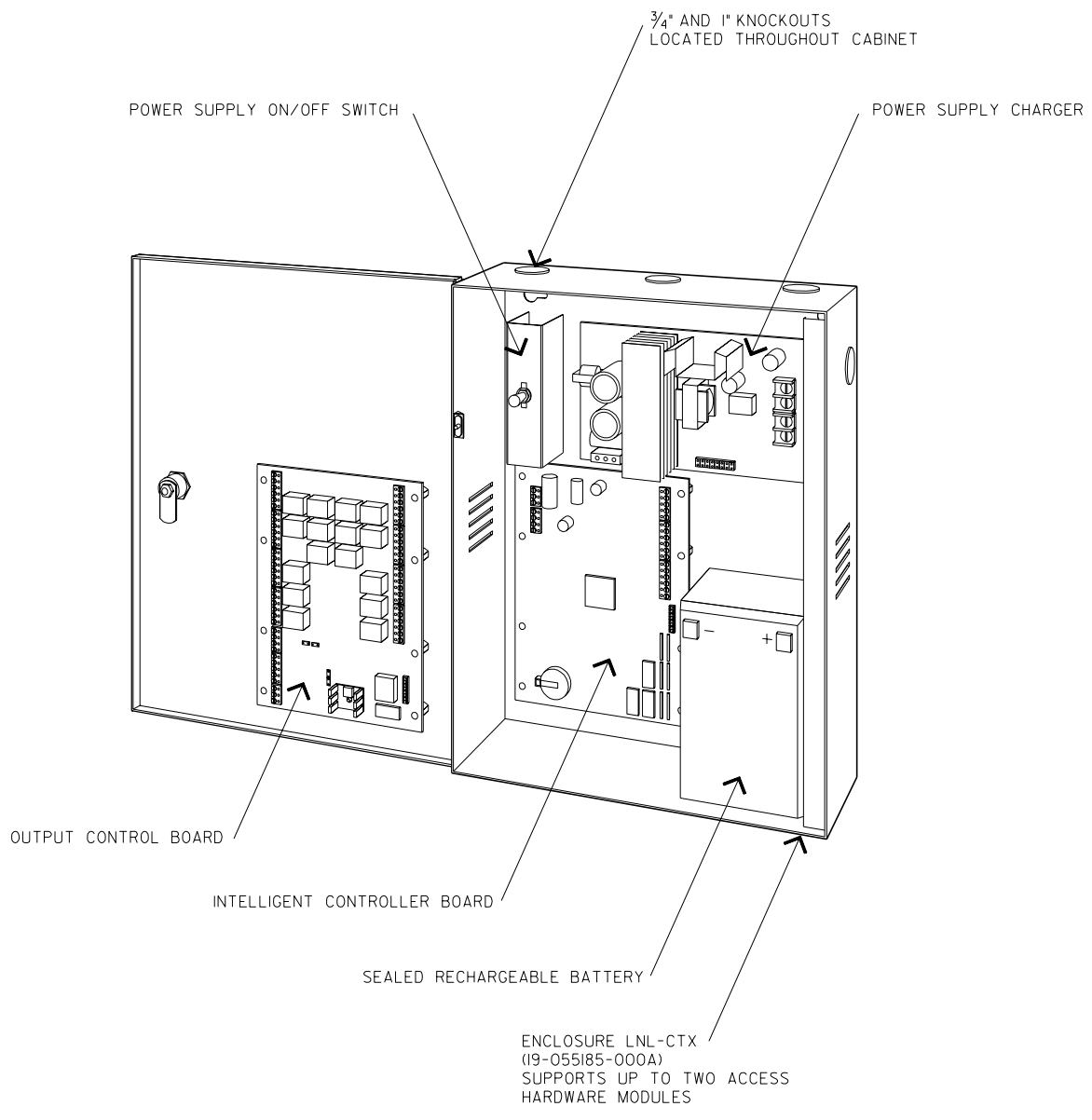


DIMENSIONS IN FEET-INCHES
(DIMENSIONS IN METRES)



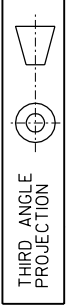
THIRD ANGLE
PROJECTION

*ALL DIMENSIONS AND DESIGN CRITERIA
SUBJECT TO CHANGE WITHOUT NOTICE*



CALL 1-800-999-3600

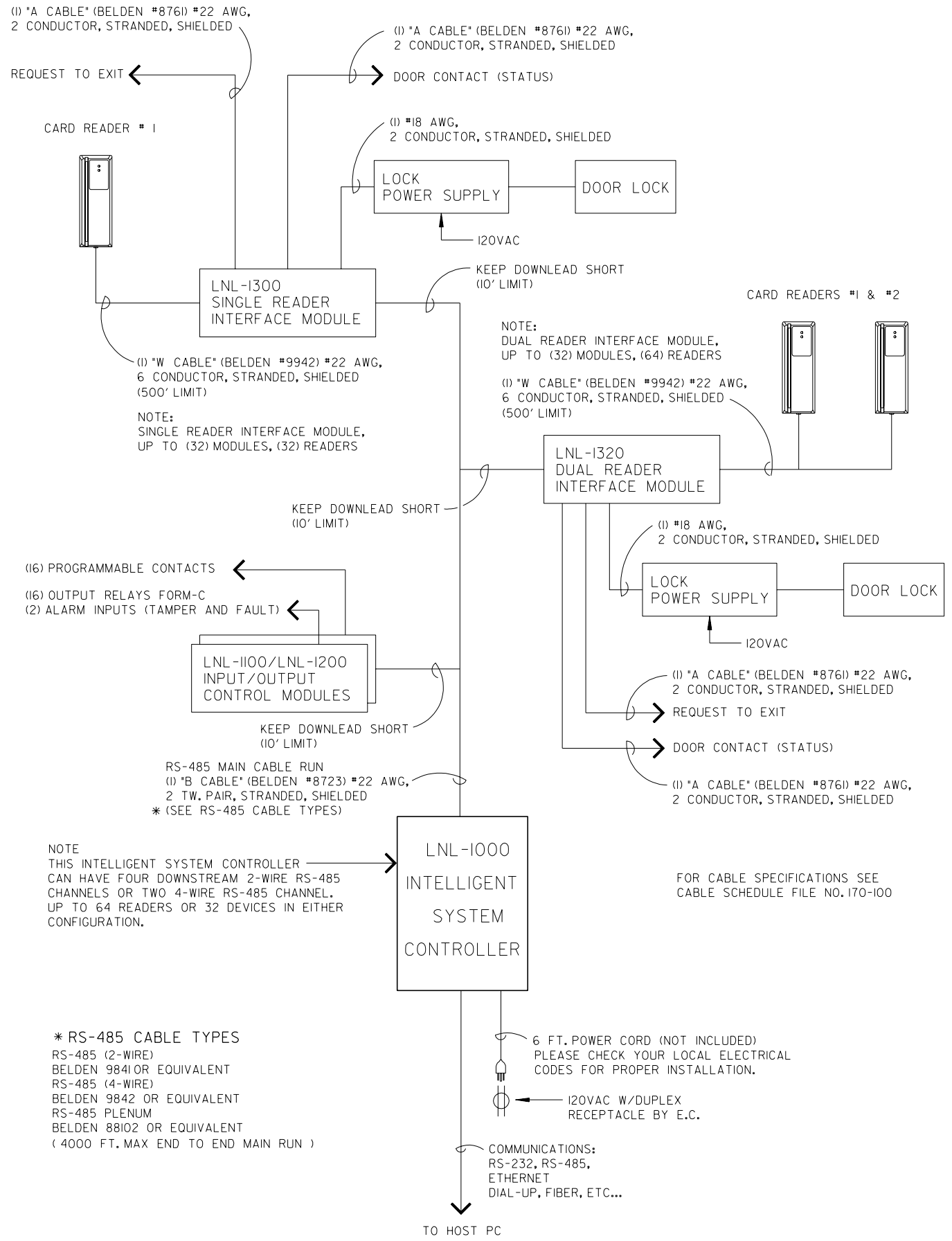
DIMENSIONS IN FEET-INCHES
(DIMENSIONS IN METRES)



PAGE 3 OF 4

*ALL DIMENSIONS AND DESIGN CRITERIA
SUBJECT TO CHANGE WITHOUT NOTICE*

FILE NO. 170-391REV. 0





SPECIFICATIONS

CONSTRUCTION ————— 16 GAUGE STEEL
 GLOSS GRAY

WEIGHT ————— 18 LBS. (8.16 KG)
 (WITH OUT BATT/HARDWARE)

TAMPER SWITCH PROVIDED W/ENCLOSURE.

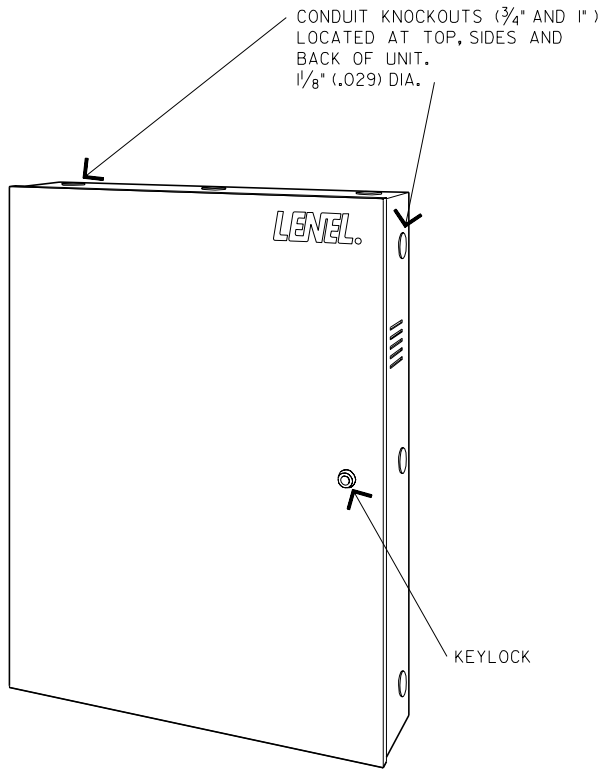
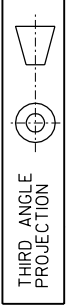
SUPPORTS UP TO SIX ACCESS CONTROL MODULES.

NOTE:
 MOUNTING HARDWARE TO BE COMPATIBLE WITH
 WALL CONSTRUCTION AND ADEQUATE TO SUPPORT
 WEIGHT OF UNIT.

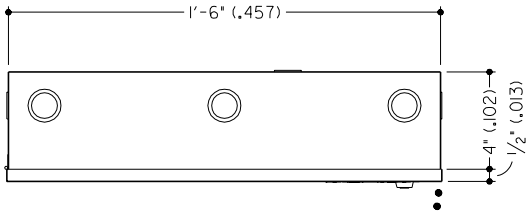
COMPLETE POWER SUPPLY/CHARGER CONFIGURATION
 WITH THIS SIZE ENCLOSURE.
 LNL-AL600ULX-4CB6 (I9-055184-000A)

CONTACT LOCAL SALES/SERVICE
 FOR VARIOUS MODEL AND
 APPLICATION NEEDS.

DIMENSIONS IN FEET-INCHES
(DIMENSIONS IN METRES)

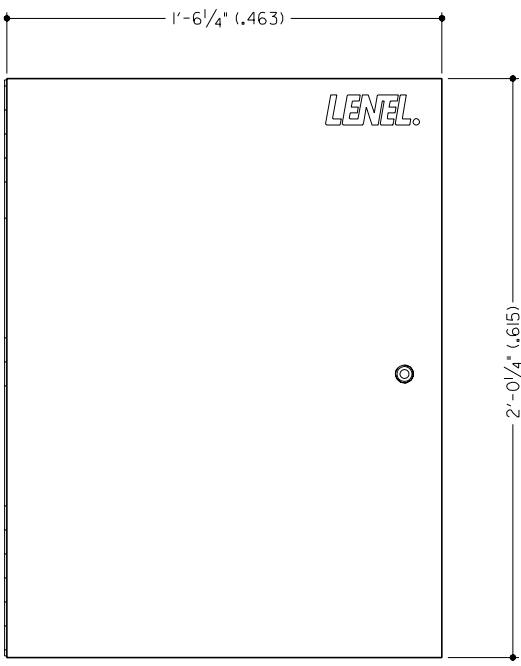


PERSPECTIVE

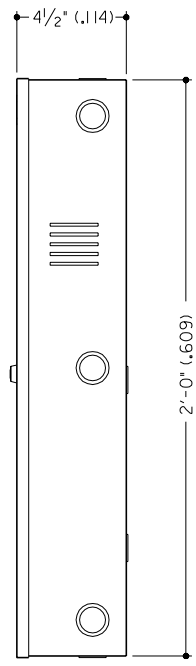


PLAN VIEW

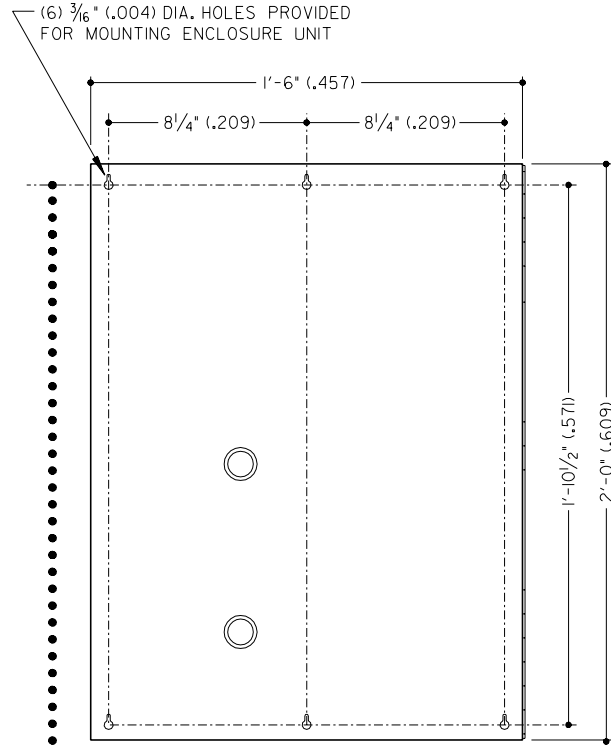
DOOR SWING



FRONT VIEW



SIDE VIEW



BACK VIEW

ENCLOSURE LNL-CTX-6 (I9-055186-000A)