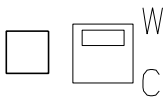
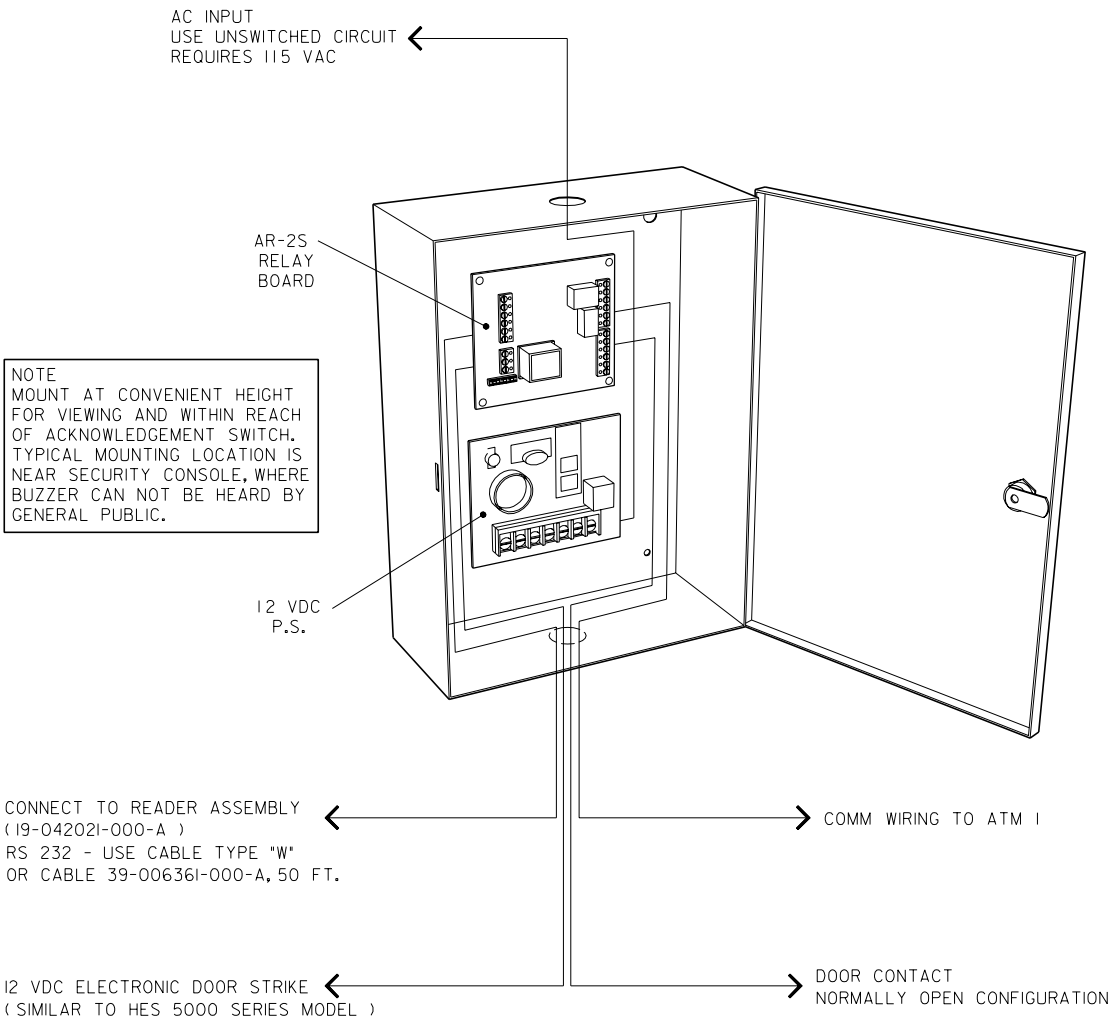


DIMENSIONS IN FEET-INCHES
(DIMENSIONS IN METRES)

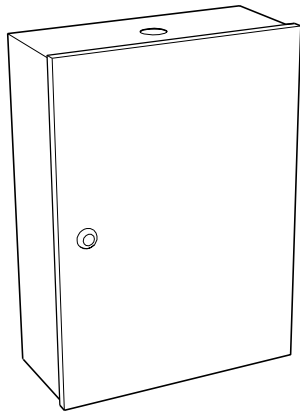
SPECIFICATIONS

ENCLOSURE DIMENSIONS — 11" X 15" X 5" (.27 M X .38 M X .12 M)
 OPERATING TEMPERATURE — 0° TO 50° C (32° TO 122° F)
 STORAGE — -40° TO 80° C (-40° TO 176° F)
 OPERATING HUMIDITY — 0 TO 95%, NON-CONDENSING
 WEIGHT — 24 LBS. (10.89 KG)
 ENCLOSURE COLOR — GREY

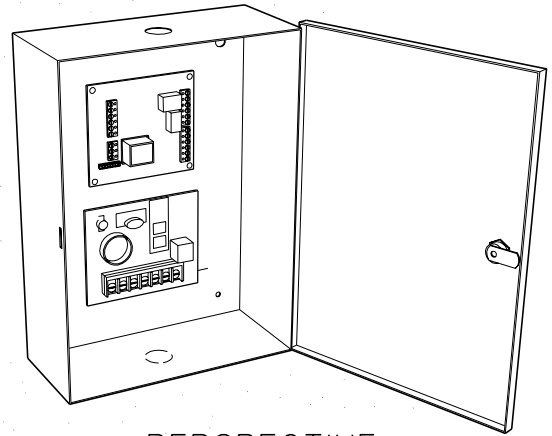


CALL 1-800-999-3600

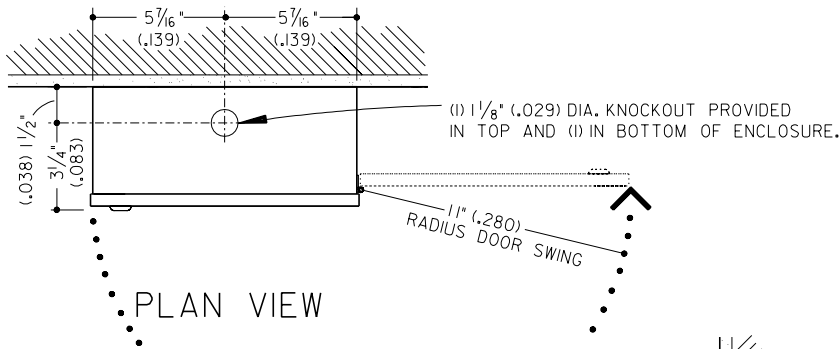
DIMENSIONS IN FEET-INCHES
(DIMENSIONS IN METRES)



PERSPECTIVE



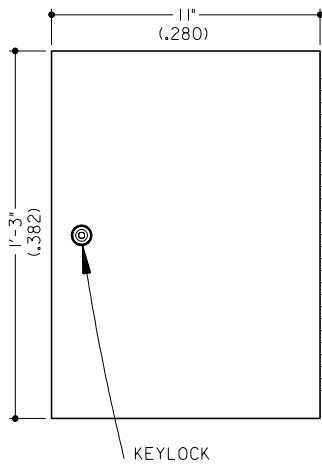
PERSPECTIVE



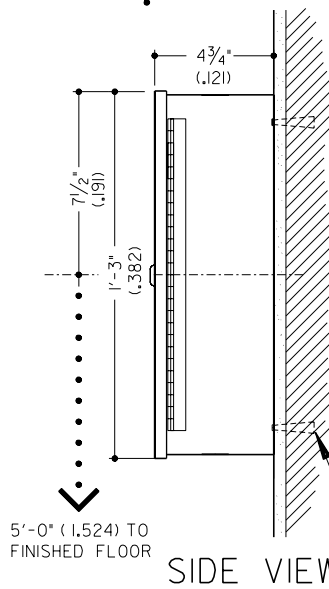
PLAN VIEW

SPECIFICATIONS

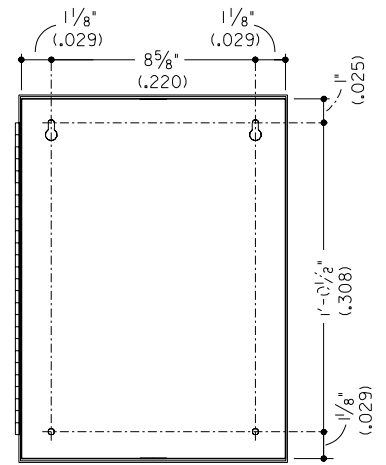
MATERIAL _____ STEEL
 COLOR _____ GREY



FRONT VIEW

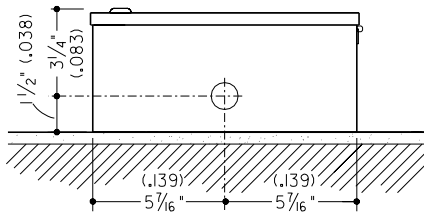


SIDE VIEW



BACK VIEW

MOUNTING HARDWARE TO BE COMPATIBLE WITH WALL CONSTRUCTION AND ADEQUATE TO SUPPORT WEIGHT OF ENCLOSURE. (4) $1\frac{1}{4}''$ (.006) HOLES PROVIDED FOR MOUNTING CABINET.



BOTTOM VIEW

ENCLOSURE