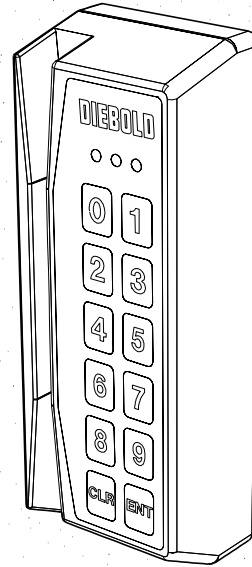


SPECIFICATIONS

POWER ————— 6 TO 24 VDC @ 50 ma
 TEMPERATURE ————— -40° TO 85°C (-40°F TO 185°F)
 HUMIDITY ————— 0-80% NON-CONDENSING
 WEIGHT ————— .5 LB (.225 kg)
 MATERIAL ————— DIE CAST ALUMINUM

FINISHES

- A - BLACK (OUTDOORS)
- B - BEIGE (OUTDOORS)
- C - GREY (OUTDOORS)
- D - CLEAR COAT
- E - CHROME
- F - ANTIQUE BRASS
- G - BRASS

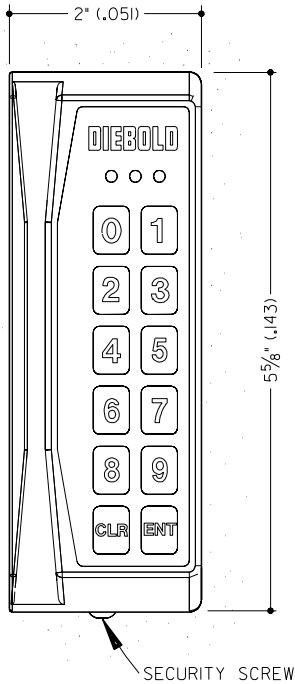


PERSPECTIVE

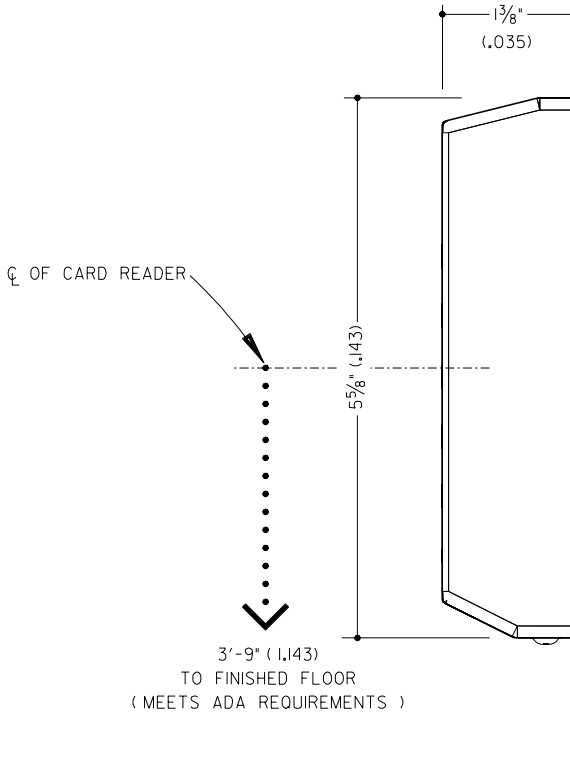
DIMENSIONS IN FEET-INCHES
(DIMENSIONS IN METRES)



THIRD ANGLE
PROJECTION



FRONT VIEW

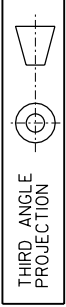


SIDE VIEW





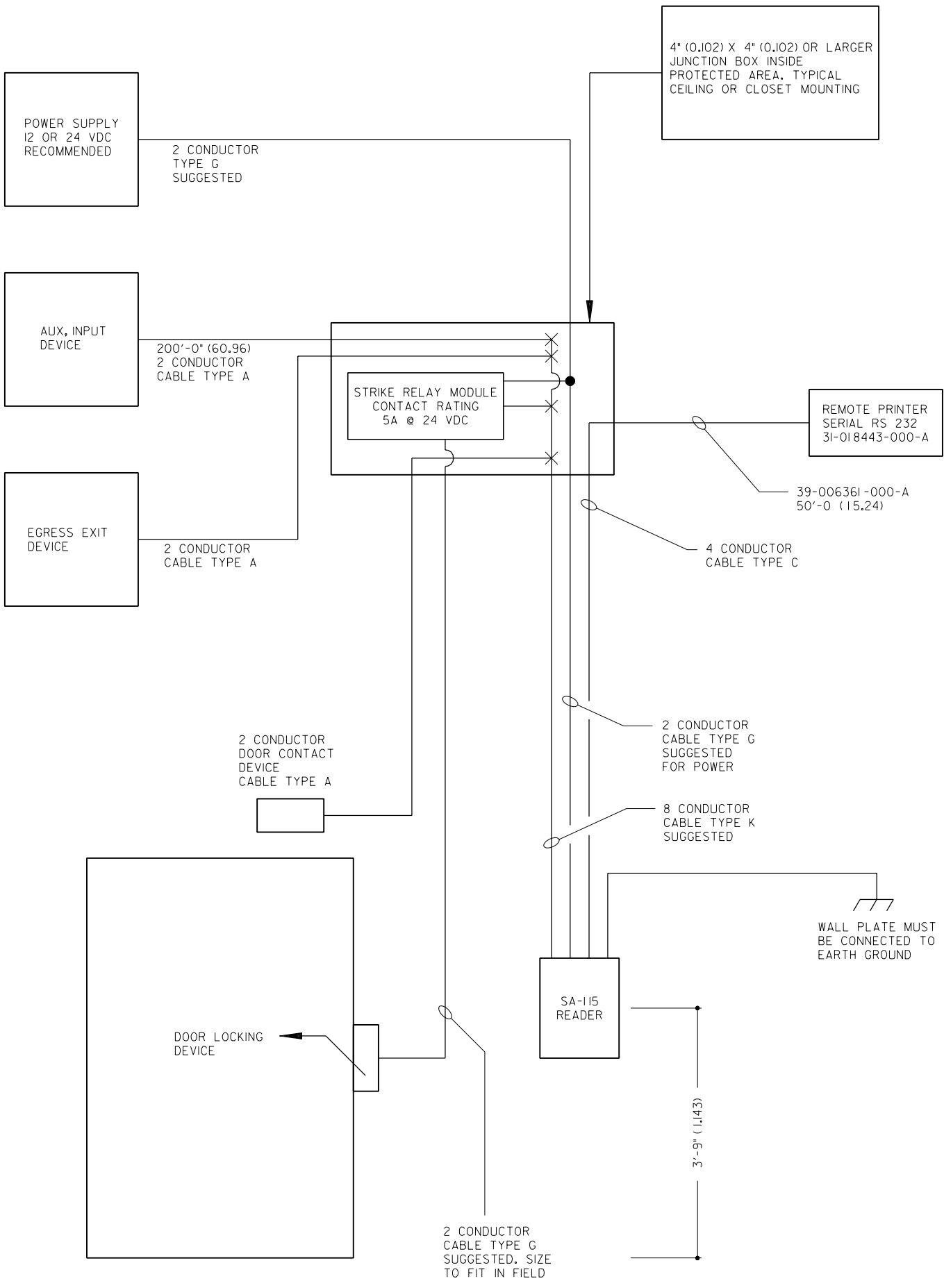
DIMENSIONS IN FEET-INCHES
(DIMENSIONS IN METRES)



PAGE 2 OF 4

*ALL DIMENSIONS AND DESIGN CRITERIA
SUBJECT TO CHANGE WITHOUT NOTICE.*

FILE NO. I70-334 REV. 1



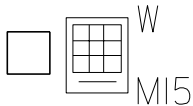
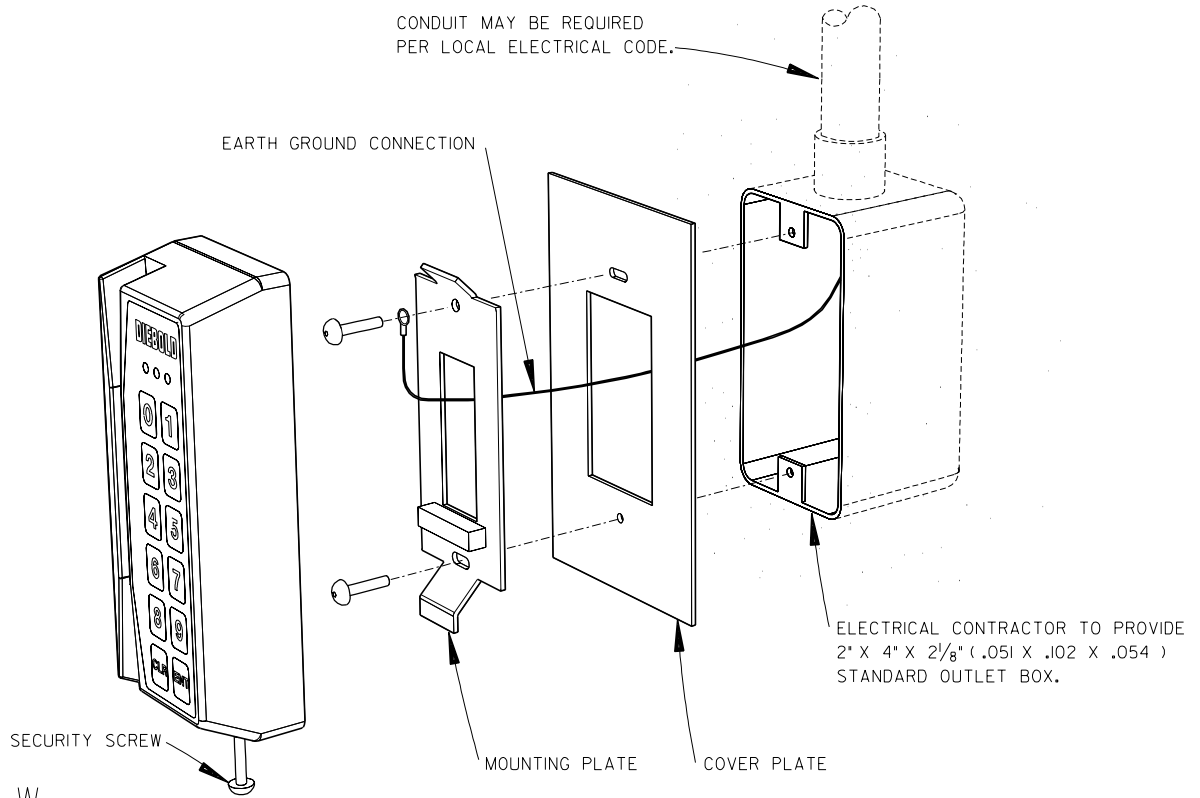
SUGGESTED WIRING DETAIL

CALL 1-800-999-3600

DIMENSIONS IN FEET-INCHES
(DIMENSIONS IN METRES)



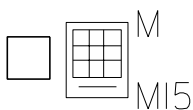
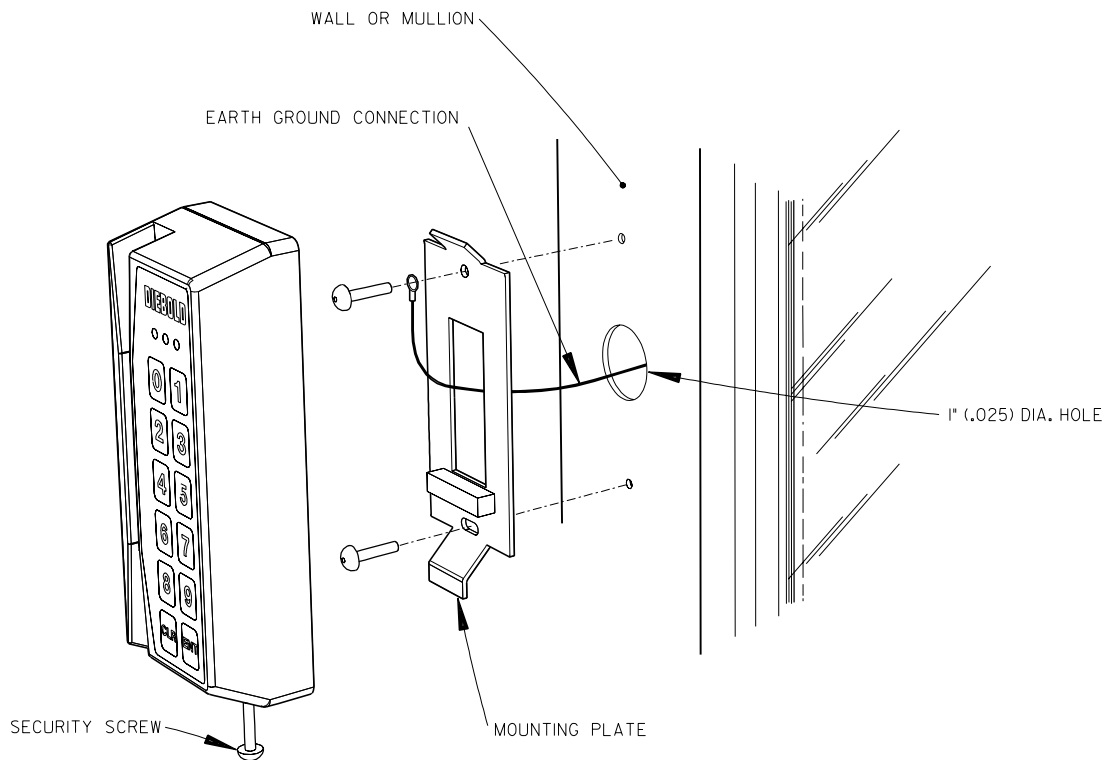
THIRD ANGLE
PROJECTION



WALL MOUNT WITH OUTLET BOX AND CONDUIT

PAGE 3 OF 4

*ALL DIMENSIONS AND DESIGN CRITERIA
SUBJECT TO CHANGE WITHOUT NOTICE.*

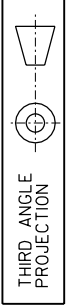


WALL OR MULLION MOUNT

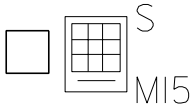
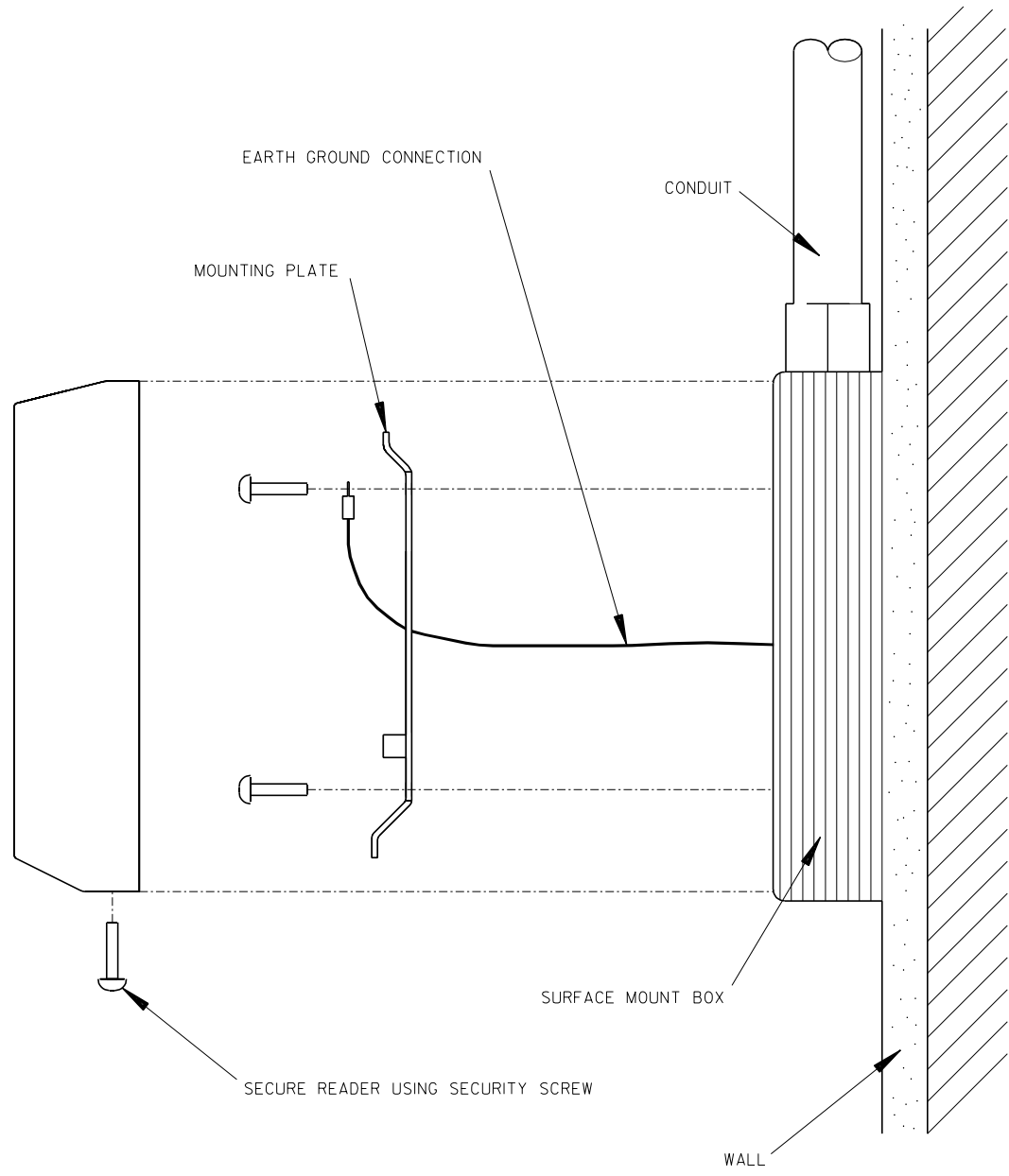
FILE NO. 170-334 REV. 1



DIMENSIONS IN FEET-INCHES
(DIMENSIONS IN METRES)



*ALL DIMENSIONS AND DESIGN CRITERIA
SUBJECT TO CHANGE WITHOUT NOTICE*



SURFACE MOUNT WITH SURFACE MOUNT BOX AND CONDUIT