

CANTON OFFICE
 818 Mulberry Road SE
 Dept. E-77
 Canton, OH 44707

DALLAS OFFICE
 1221 South Beltline Road
 Suite 700
 Coppell, TX 75019

ORLANDO OFFICE
 43 Skyline Drive
 Suite 1051
 Lake Mary, FL 32746

RETAIL OFFICE
 281 Cedar Hill Rd.
 Bldg. C - Ste. 8-12
 Marlborough, MA 01752

THIS DRAWING IS THE PROPERTY OF DIEBOLD INCORPORATED
 (c) COPYRIGHT 2007 Diebold, Inc. All Rights Reserved
 An Unpublished Work.

This document is intended solely for the purpose of providing information to aid in the preparation of a site for the installation of Diebold equipment. It may include openings, equipment specifications, clearance/service areas, electrical requirements and preferred installation methods. Diebold Product Application Services (PAS) designers are not licensed architects/engineers but may offer recommendations relating to Diebold product placement/installation. The customer's architect is solely responsible for final construction design, permitting or inspections required by local authorities for approval.

Revisions:

ALL DIMENSIONS AND DESIGN CRITERIA SUBJECT TO CHANGE WITHOUT NOTICE

DERIVED FROM CUT SHEET FILE NO. 30-820 REV. 5

Project No.

Date

Drawn By

Requested By

Order No. 000000

Scale

Sheet Title

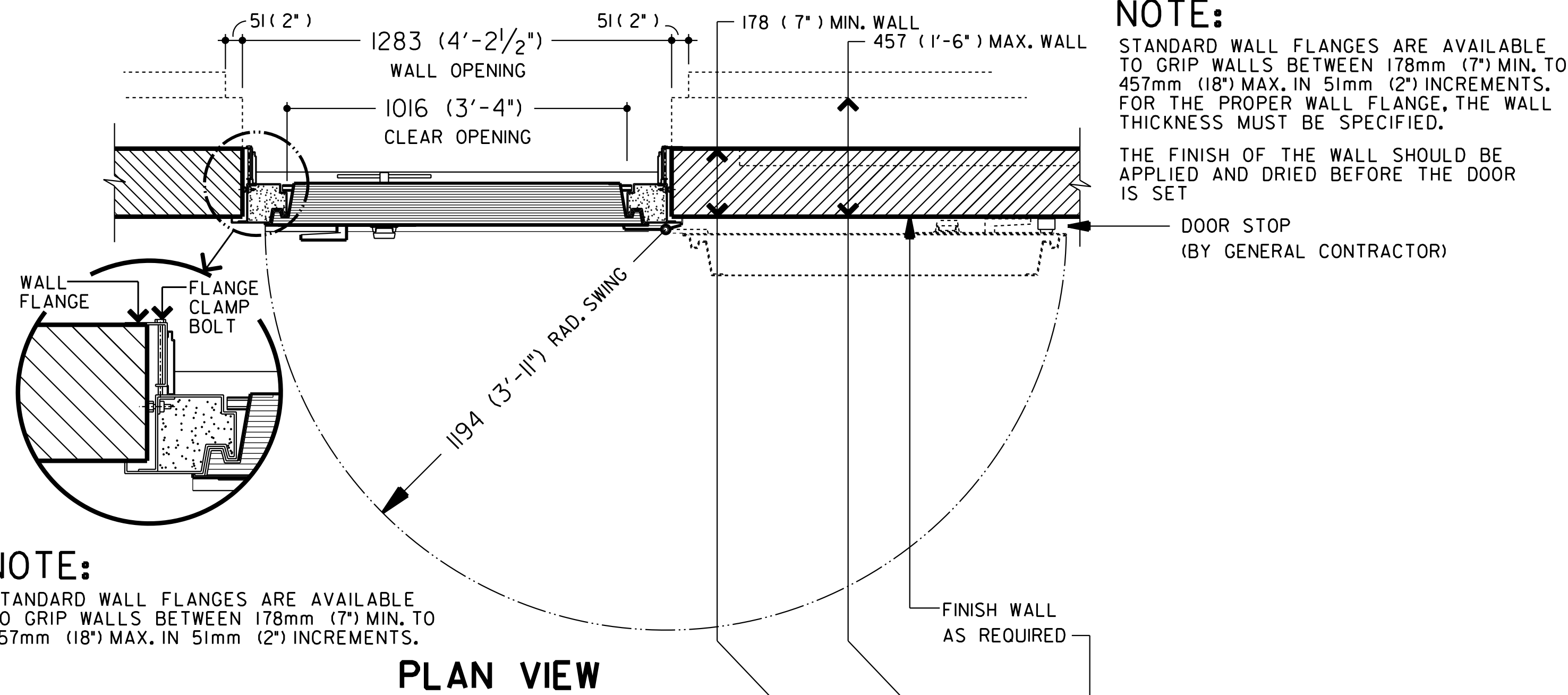
1844 - 4 HOUR FIRE INSULATED VAULT DOOR

Drawing Number

FD-1

00 of 00

NOTE:
 RIGHT SWING SHOWN LEFT SWING OPPOSITE

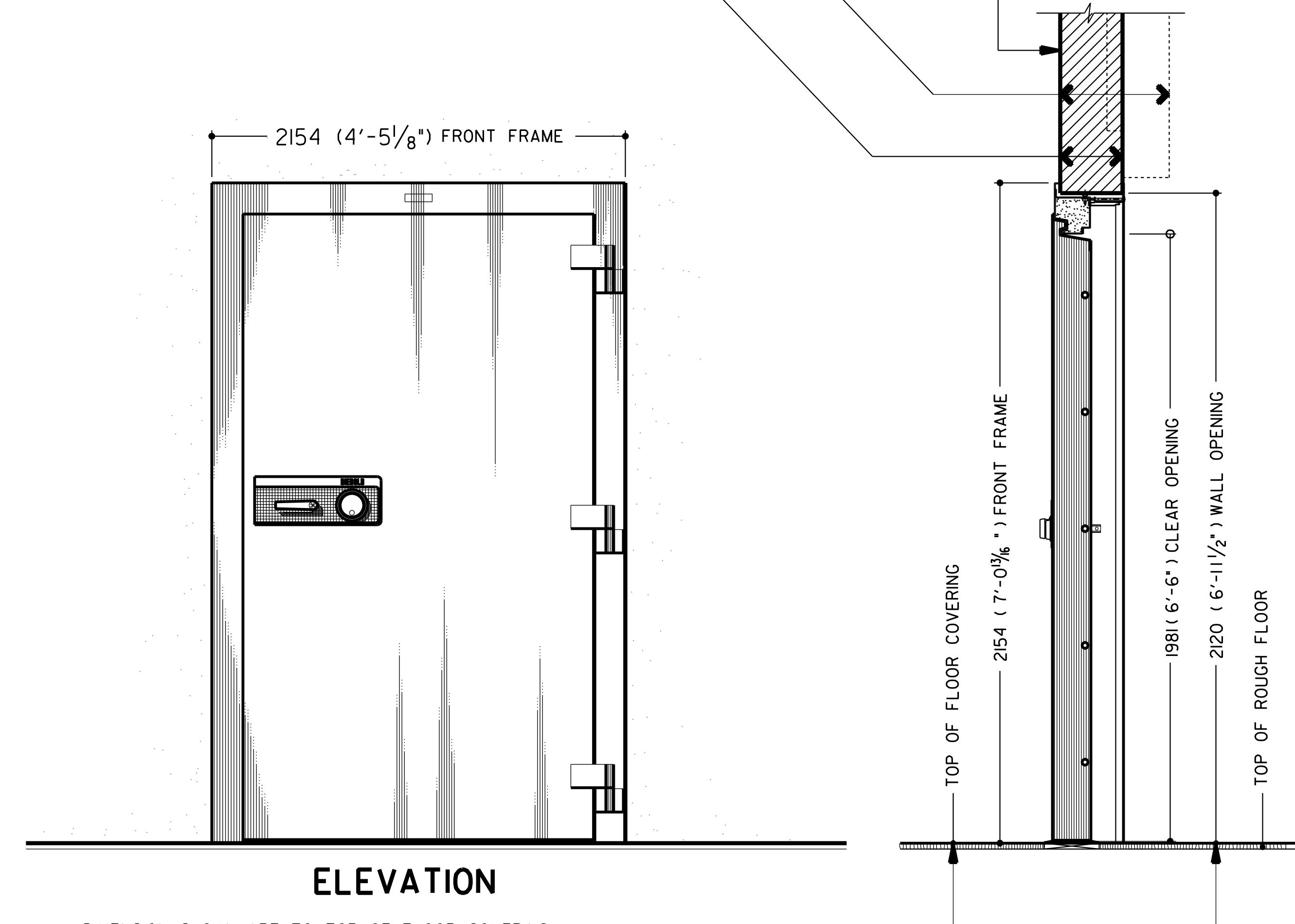


NOTE:
 STANDARD WALL FLANGES ARE AVAILABLE TO GRIP WALLS BETWEEN 178mm (7") MIN. TO 457mm (18") MAX. IN 51mm (2") INCREMENTS. FOR THE PROPER WALL FLANGE, THE WALL THICKNESS MUST BE SPECIFIED.

THE FINISH OF THE WALL SHOULD BE APPLIED AND DRIED BEFORE THE DOOR IS SET

NOTE:
 STANDARD WALL FLANGES ARE AVAILABLE TO GRIP WALLS BETWEEN 178mm (7") MIN. TO 457mm (18") MAX. IN 51mm (2") INCREMENTS.

PLAN VIEW



ELEVATION

SECTION

DIMENSION SHOWN ARE TO TOP OF FLOOR COVERING (TOP OF CARPET, TILE, ETC.) ALLOW FOR THICKNESS OF FLOOR COVERING IN PREPARING THE OPENING. USE FILL UNDER SILL (BY OTHERS AT INSTALLATION) TO MAINTAIN CLEARANCE OF 10mm (3/8") FROM DOOR TO TOP OF FLOOR COVERING.

STANDARD ITEMS:

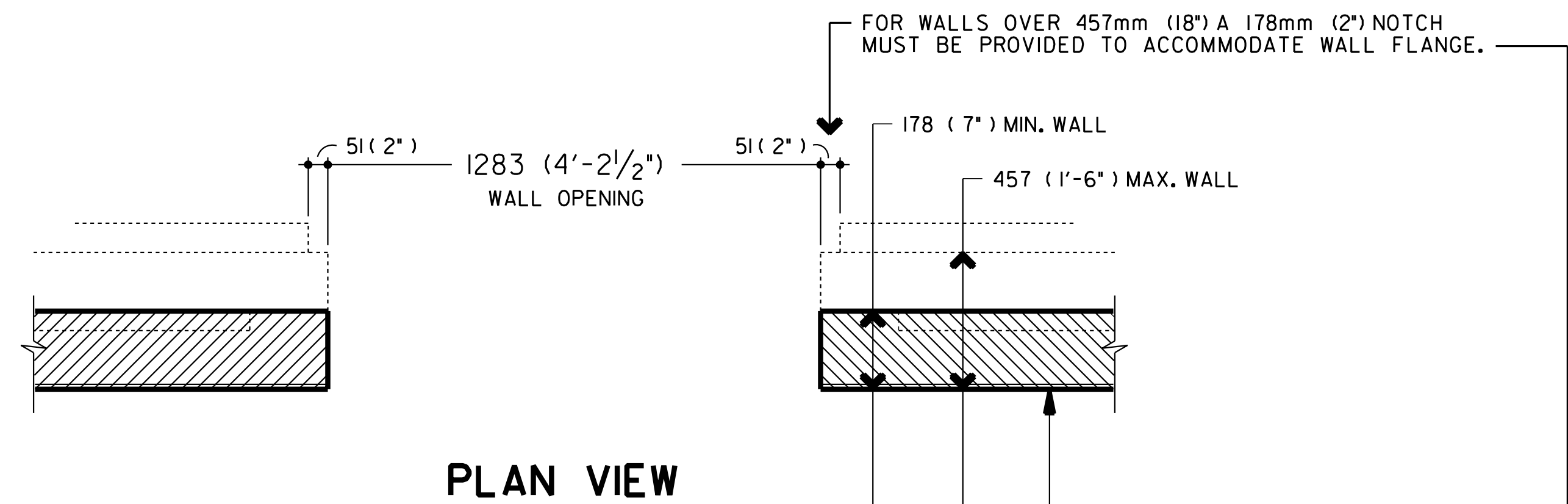
1. U.L. FIRE ENDURANCE, U.L. RELOCK, U.L. GROUP II COMBINATION LOCK.
2. PANIC ESCAPE MECHANISM: ALLOWS A PERSON LOCKED IN VAULT TO OPEN THE DOOR FROM THE INSIDE.
3. COLORS

- PLANTINUM
- DAWN
- GRAY I
- PLAZZA GRAY
- BLACK
- TOPAZ
- LIGHT CHARCOAL

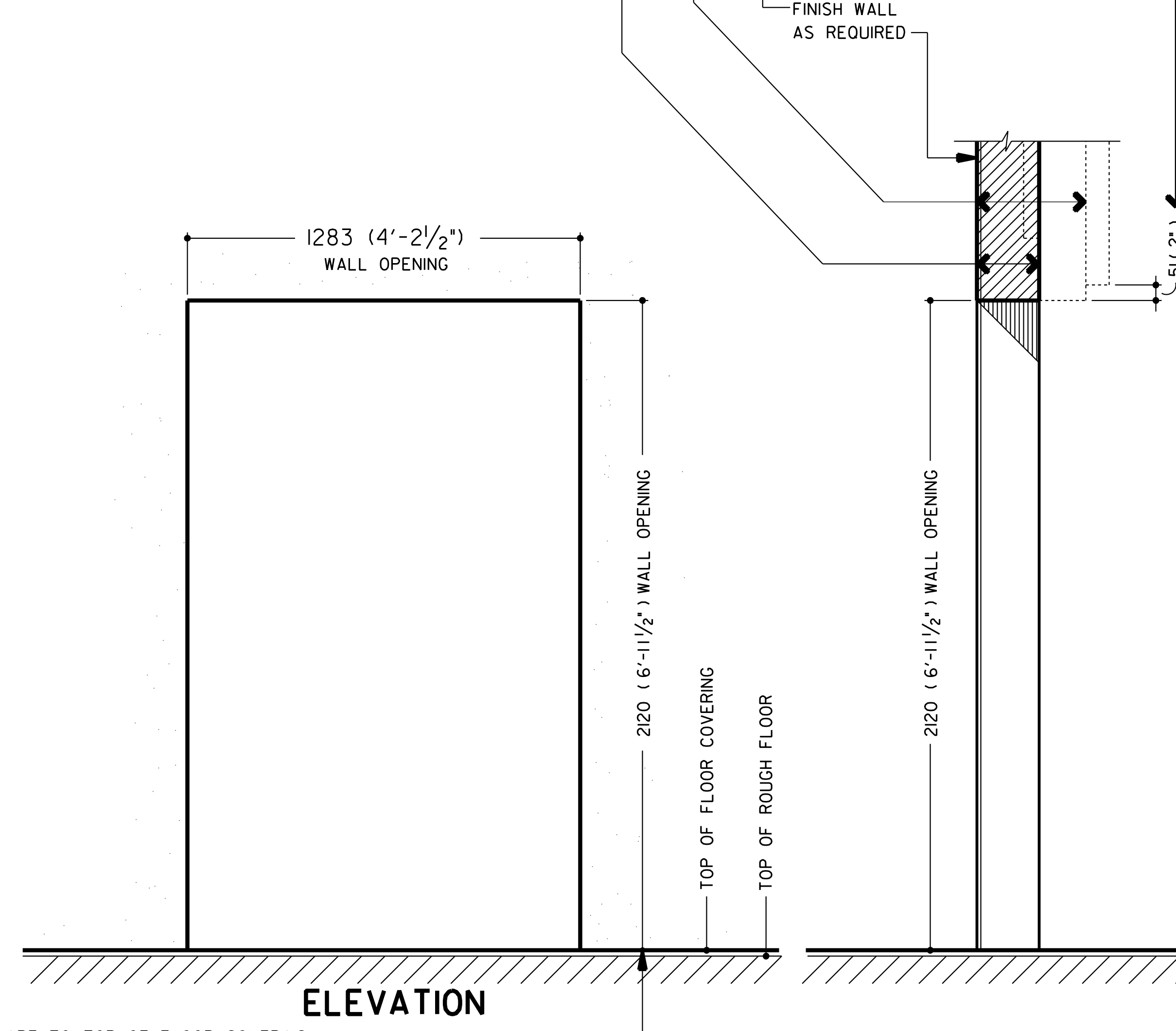
OPTIONAL ITEMS:

1. KEYLOCKING BOLT THROW HANDLE.
2. KEYLOCKING DIAL.
3. DUAL CONTROL; SECOND COMBINATION LOCK.
4. DAYGATE (SEE SHEET 2 OF 2)
5. COLORS

- SILVER GRAY
- SEA GRAY
- AQUA
- WILLIAMSBURG GREEN
- BRITTANY BLUE
- TAN I
- NUTMEG
- ROSEWOOD
- WINEBERRY



PLAN VIEW



ELEVATION

SECTION

DIMENSION SHOWN ARE TO TOP OF FLOOR COVERING (TOP OF CARPET, TILE, ETC.) ALLOW FOR THICKNESS OF FLOOR COVERING IN PREPARING THE OPENING. USE FILL UNDER SILL (BY OTHERS AT INSTALLATION) TO MAINTAIN CLEARANCE OF 10mm (3/8") FROM DOOR TO TOP OF FLOOR COVERING.