

DIEBOLD
PRODUCT APPLICATION SERVICES

□
CANTON OFFICE
 818 Mulberry Road SE
 Dept. E-77
 Canton, OH 44707

□
DALLAS OFFICE
 1221 South Beltline Road
 Suite 700
 Coppell, TX 75019

□
ORLANDO OFFICE
 43 Skyline Drive
 Suite 1051
 Lake Mary, FL 32746

□
RETAIL OFFICE
 281 Cedar Hill Rd.
 Bldg. C - Ste. 8-12
 Marlborough, MA 01752

THIS DRAWING IS THE PROPERTY OF DIEBOLD INCORPORATED
 (c) COPYRIGHT 2007 Diebold, Inc. All Rights Reserved
 An Unpublished Work.

This document is intended solely for the purpose of providing information to aid in the preparation of a site for the installation of Diebold equipment. It may include openings, equipment specifications, clearances/service areas, electrical requirements and preferred installation methods. Diebold Product Application Services (PAS) designers are not licensed architects/engineers but may offer recommendations relating to Diebold product placement/installation. The customer's architect is solely responsible for final construction design, permitting or inspections required by local authorities for approval.

Revisions:

ALL DIMENSIONS AND DESIGN CRITERIA SUBJECT TO CHANGE WITHOUT NOTICE

DERIVED FROM CUT SHEET FILE NO. 30-820 REV. 5

Project No.
Date
Drawn By
Requested By
Order No. 000000
Scale

Sheet Title
1823 - 2 HOUR FIRE INSULATED VAULT DOOR

Drawing Number
FD-1
 00 of 00

STANDARD ITEMS:

1. U.L. FIRE ENDURANCE, U.L. RELOCK, U.L. GROUP II COMBINATION LOCK.
2. PANIC ESCAPE MECHANISM: ALLOWS A PERSON LOCKED IN VAULT TO OPEN THE DOOR FROM THE INSIDE.
3. COLORS AVAILABLE

PLANTINUM
 DAWN
 GRAY I
 PLAZZA GRAY
 BLACK
 TOPAZ
 LIGHT CHARCOAL

OPTIONAL ITEMS:

1. KEYLOCKING BOLT THROW HANDLE.
2. KEYLOCKING DIAL.
3. DUAL CONTROL; SECOND COMBINATION LOCK.
4. DAYGATE (ALUMINUM OR PLEXIGLAS)
5. COLORS AVAILABLE

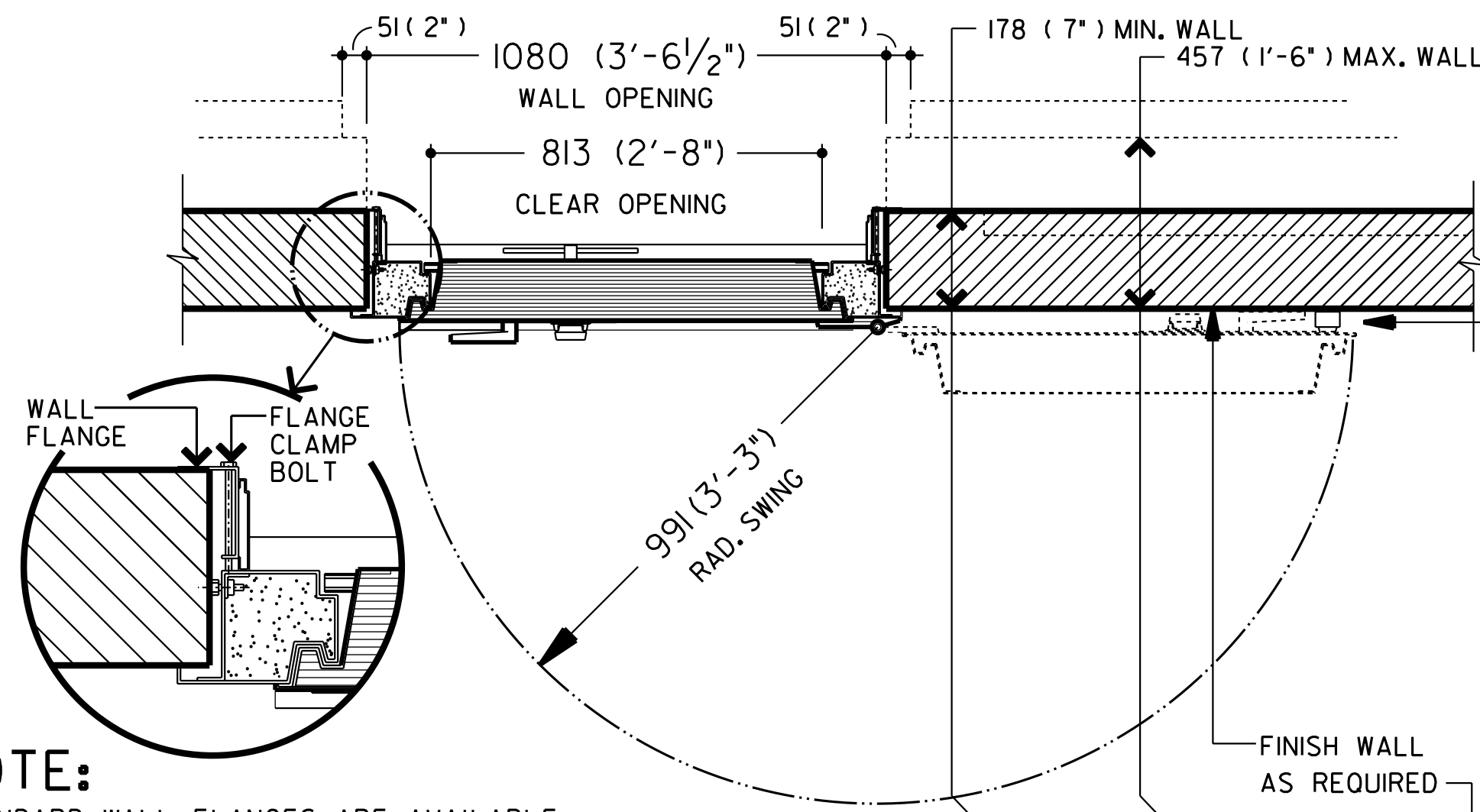
SILVER GRAY
 SEA GRAY
 AQUA
 WILLIAMSBURG GREEN
 BRITTANY BLUE
 TAN I
 NUTMEG
 ROSEWOOD
 WINEBERRY

NOTE:

STANDARD WALL FLANGES ARE AVAILABLE TO GRIP WALLS BETWEEN 178mm (7") MIN. TO 457mm (18") MAX. IN 51mm (2") INCREMENTS. FOR THE PROPER WALL FLANGE, THE WALL THICKNESS MUST BE SPECIFIED.

THE FINISH OF THE WALL SHOULD BE APPLIED AND DRIED BEFORE THE DOOR IS SET

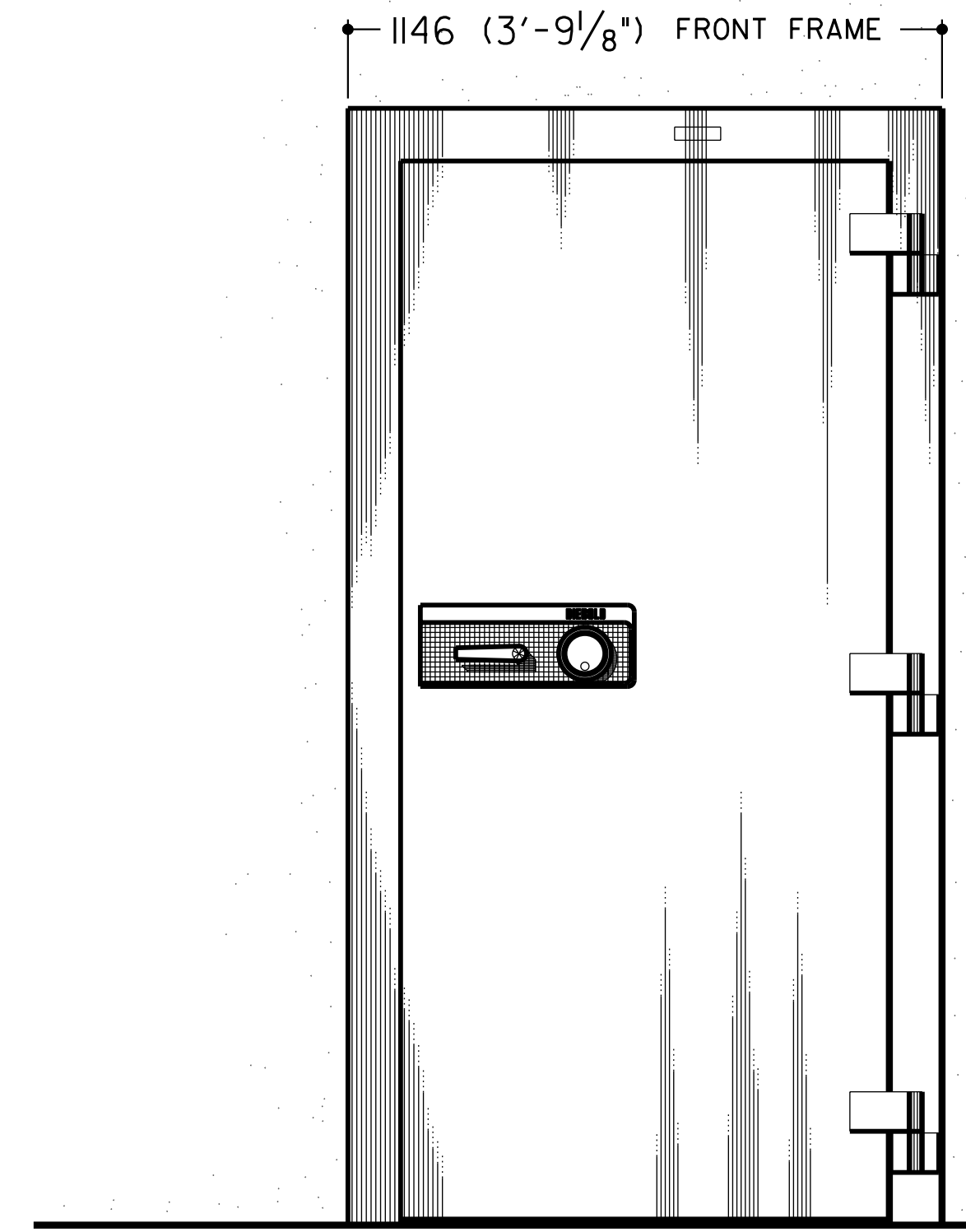
DOOR STOP (BY GENERAL CONTRACTOR)



NOTE:

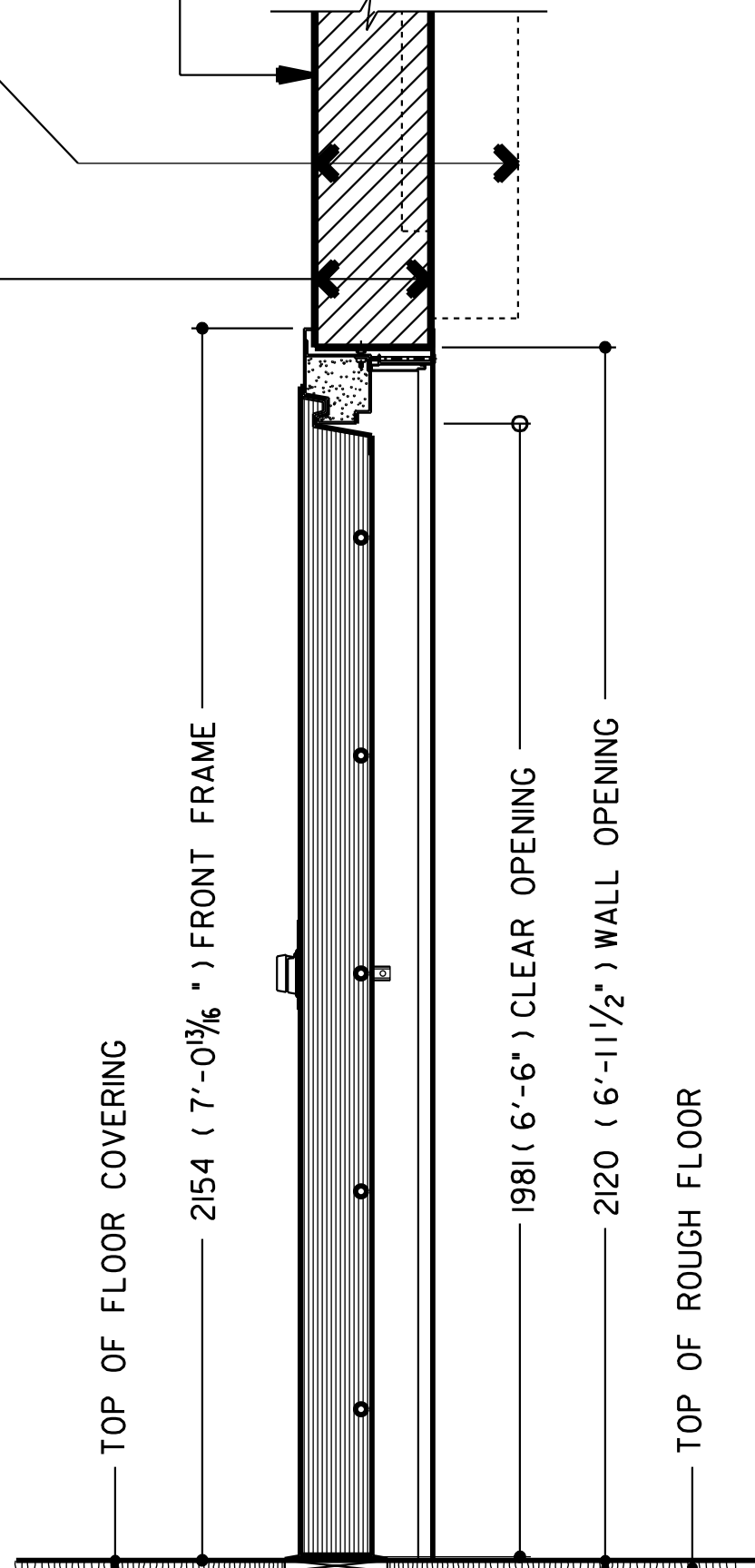
STANDARD WALL FLANGES ARE AVAILABLE TO GRIP WALLS BETWEEN 178mm (7") MIN. TO 457mm (18") MAX. IN 51mm (2") INCREMENTS.

PLAN VIEW

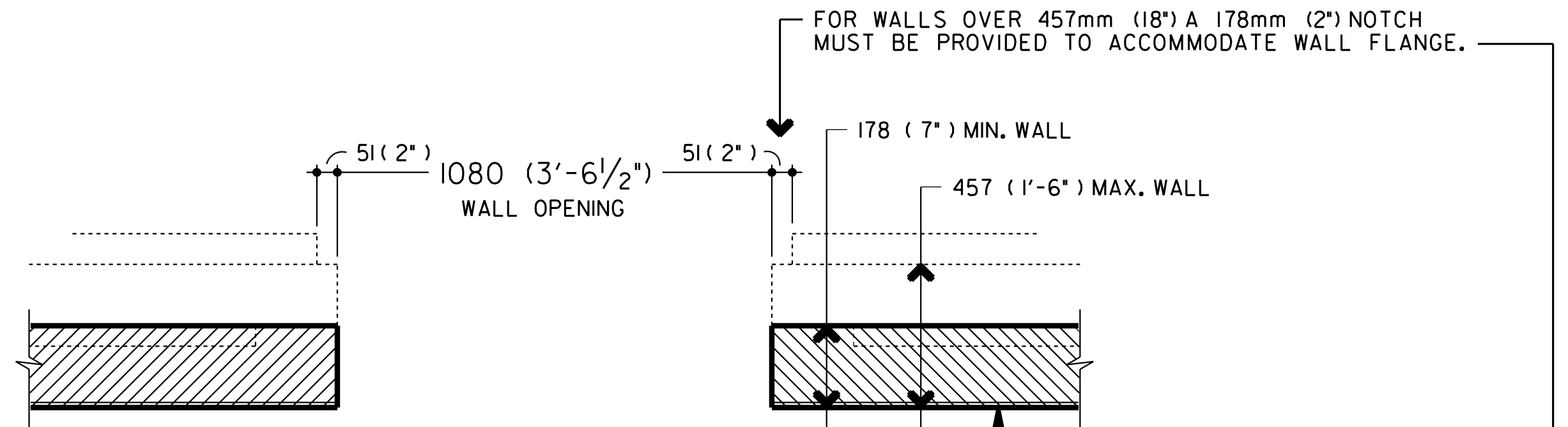


ELEVATION

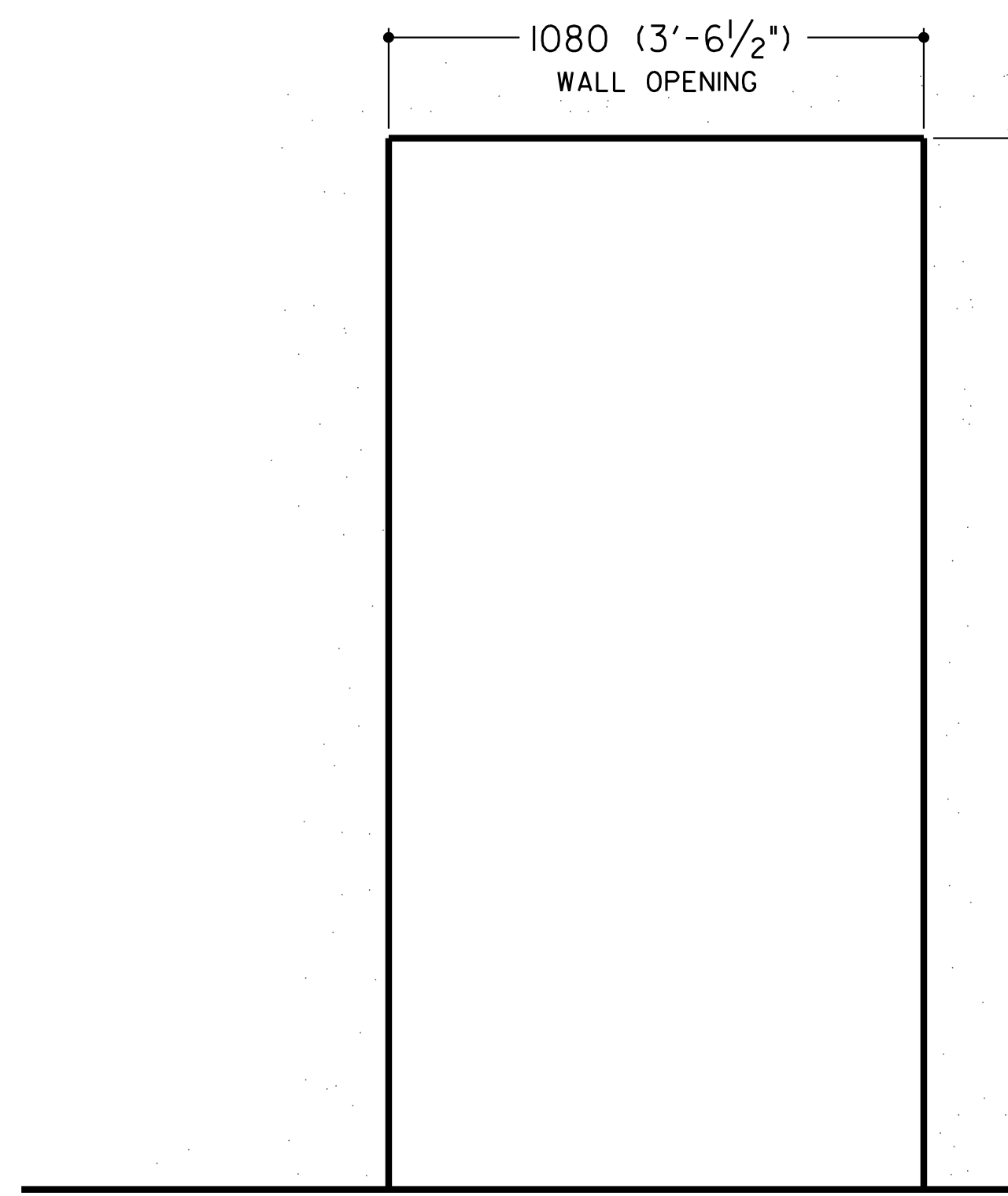
DIMENSION SHOWN ARE TO TOP OF FLOOR COVERING (TOP OF CARPET, TILE, ETC.) ALLOW FOR THICKNESS OF FLOOR COVERING IN PREPARING THE OPENING. USE FILL UNDER SILL (BY OTHERS AT INSTALLATION) TO MAINTAIN CLEARANCE OF 10mm (3/8") FROM DOOR TO TOP OF FLOOR COVERING.



SECTION

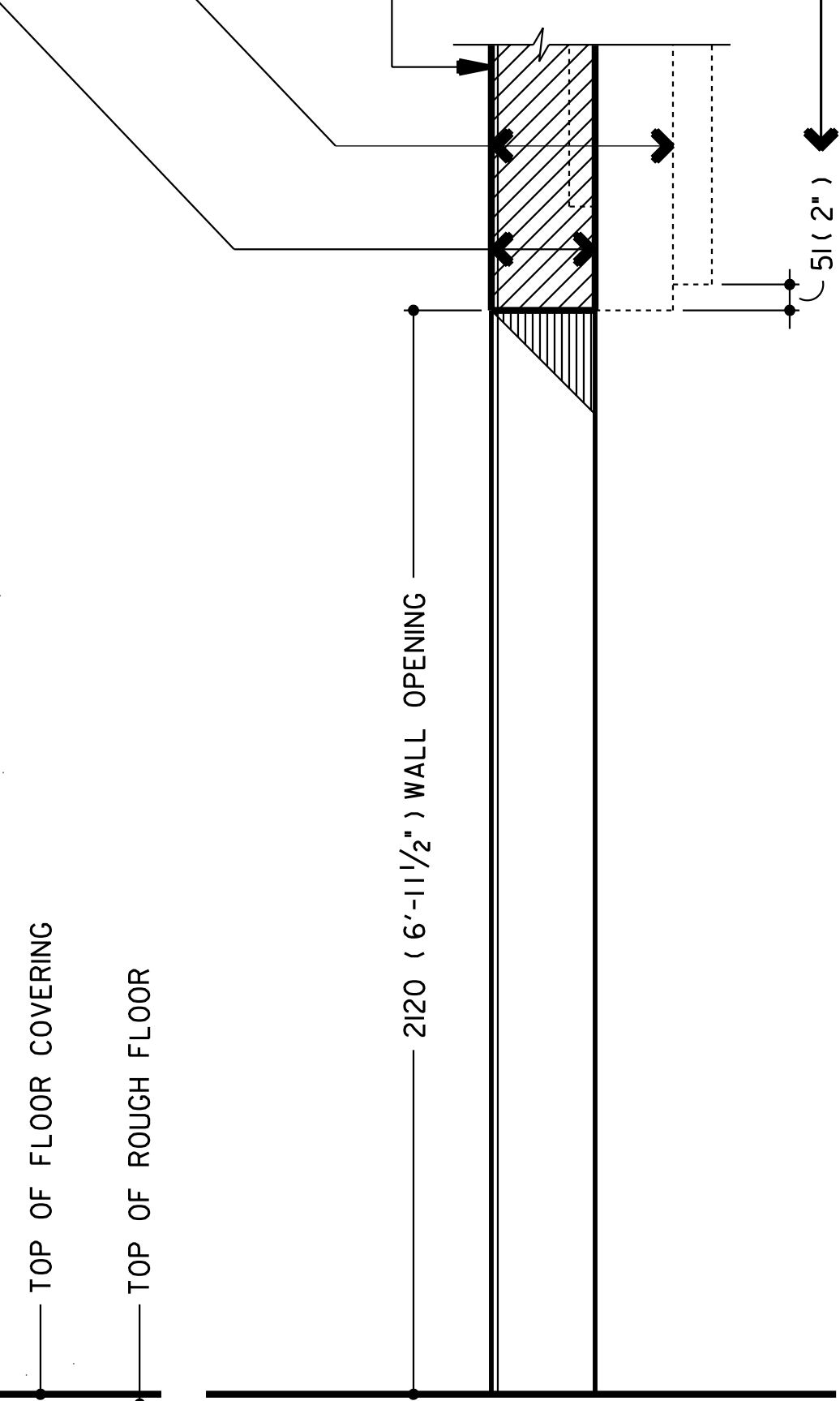


PLAN VIEW



ELEVATION

DIMENSION SHOWN ARE TO TOP OF FLOOR COVERING (TOP OF CARPET, TILE, ETC.) ALLOW FOR THICKNESS OF FLOOR COVERING IN PREPARING THE OPENING. USE FILL UNDER SILL (BY OTHERS AT INSTALLATION) TO MAINTAIN CLEARANCE OF 10mm (3/8") FROM DOOR TO TOP OF FLOOR COVERING.



SECTION