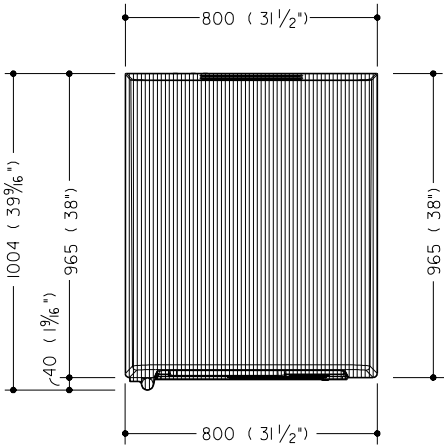
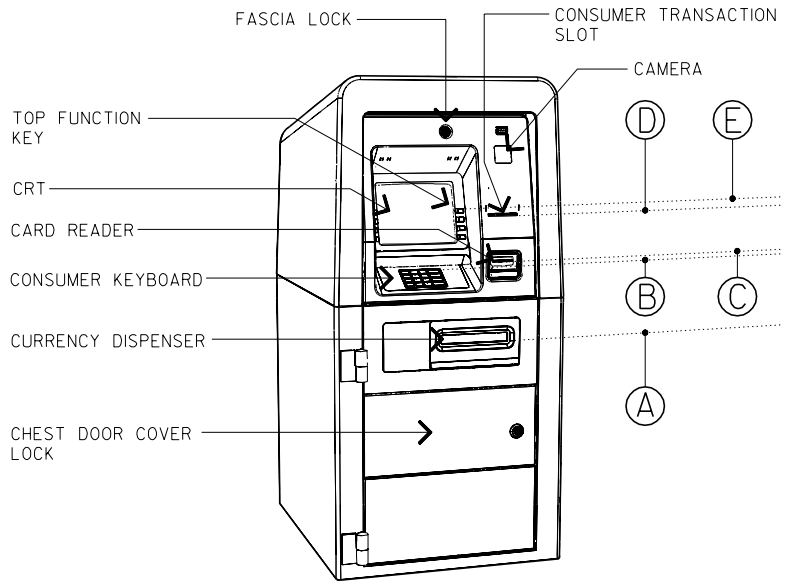


DIMENSIONS IN MILLIMETRES  
(DIMENSIONS IN INCHES)

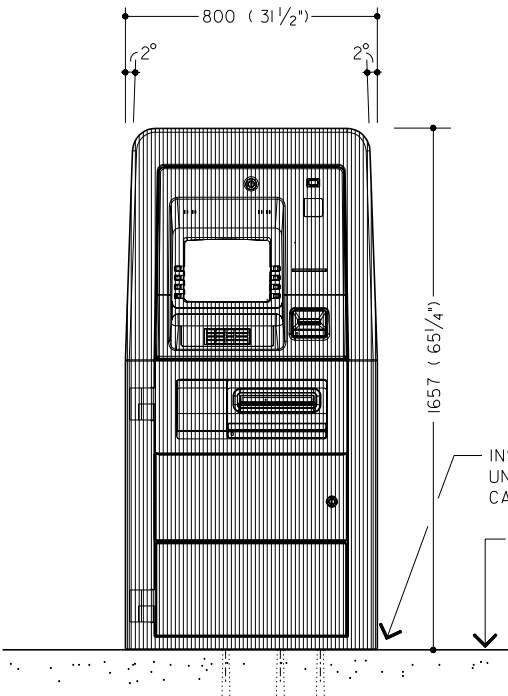


PLAN VIEW

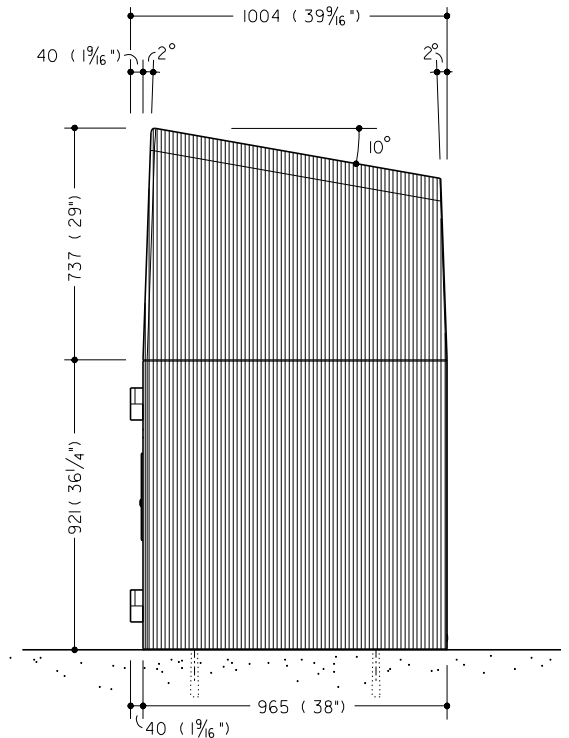


PERSPECTIVE

	CURRENCY DISPENSER (A)	CONSUMER KEYBOARD (B)	CARD READER (C)	CONSUMER TRANSACTION SLOT (D)	TOP FUNCTION KEY (E)
HEIGHT FROM BOTTOM OF SAFE	779 (30 11/16")	1008 (39 11/16")	1041 (41")	1206 (47 1/2")	1203 (47 3/8")
DEPTH FROM FRONT EDGE OF SAFE	13 (1/2")	98 (3 7/8")	57 (2 1/4")	25 (1")	152 (6")



FRONT ELEVATION



SIDE ELEVATION

INSTALLER TO SET LEVEL, SECURE UNIT TO CONCRETE SURFACE AND CAULK AROUND UNIT

CONCRETE SURFACE TO BE FLAT AND LEVEL IN AREA OF UNIT

ANCHORS AS REQUIRED  
(SEE BACK PAGE FOR LOCATION)

**PHYSICAL SECURITY**

THE SAFE MEETS THE REQUIREMENTS OF UL STANDARD 291 LEVEL 2 FOR AUTOMATED TELLER SYSTEMS FOR 24 HOUR SERVICE. THE SAFE DOOR IS PROVIDED WITH UL LISTED RELOCKING DEVICES AND A UL LISTED GROUP 1 MECHANICAL COMBINATION LOCK, OR OPTIONAL UL LISTED ELECTRICAL LOCKS.

TO MEET REQUIREMENTS OF UL 291 THE UNIT MUST BE ANCHORED TO A CONCRETE PAD OF 152mm (6") MIN. THICKNESS USING THE ANCHORS PROVIDED

**POWER REQUIREMENTS**

THE ATM REQUIRES SINGLE-PHASE THREE-WIRE UNSWITCHED POWER. WIRING TO THE ATM MUST USE A THIRD-WIRE EARTH GROUND (CONDUIT GROUND IS NOT ACCEPTABLE). THE POWER SUPPLIED MUST BE AS SPECIFIED BELOW:

- 100-127 VAC (+6%,-10%) 50Hz (+/-1%) SINGLE PHASE
- 100-127 VAC (+6%,-10%) 60Hz (+/-1%) SINGLE PHASE
- 200-240 VAC (+/-10%) 50Hz (+/-1%) SINGLE PHASE
- 200-240 VAC (+/-10%) 60Hz (+/-1%) SINGLE PHASE

POWER TO THE ATM MAY BE A BRANCH OR DEDICATED SERVICE AND MUST BE PROTECTED BY A SAFETY QUICK-DISCONNECT DEVICE TO BREAK LINE VOLTAGE (SUCH AS A CIRCUIT BREAKER AT THE ELECTRICAL SERVICE PANEL). THE QUICK DISCONNECT DEVICE (OR CIRCUIT BREAKER) MUST TURN OFF THE LINE VOLTAGE AT THE AMPERAGE SPECIFIED BELOW.

- 100-127 VAC SERVICE, DISCONNECT AT 20 AMPERES SHARED \*/ 15 AMPERES DEDICATED
- 200-240 VAC SERVICE, DISCONNECT AT 10 AMPERES

\* OTHER ELECTRONIC DEVICES SHARING POWER ON A COMMON BRANCH CIRCUIT MUST CONFORM TO THE SAME CONDUCTED INTERFERENCE STANDARDS AS THE ATM.

**POWER USAGE**

MACHINE STATUS	① SYSTEM CONFIGURATION	② MAXIMUM CONFIGURATION
IDLE (NO TRANSACTION)	195 WATTS	1145 WATTS
TRANSACTION (DISPENSE) IN PROGRESS	295 WATTS	1245 WATTS

① CTP OR HTP PROCESSOR, MONO OR COLOR MONITOR, MOTORIZED CARD READER, JOURNAL PRINTER, THERMAL CONSUMER PRINTER, PRESIDER ALARM, FOUR-HIGH DISPENSER AND FASCIA LITE.

② SAME AS (1) ABOVE WITH HEATERS AND SIGNAGE ENABLED.

THE POWER USE DEPENDS ON THE NUMBER AND TYPE OF DEVICES PRESENT IN THE ATM, AND THE TYPE OF TRANSACTION THE ATM IS PERFORMING.

**HEAT OUTPUT**

- 665 BTU/HR WITHOUT HEATERS (IDLE)
- 3,566 BTU/HR WITH HEATERS (IDLE)
- 3,907 BTU/HR WITH HEATERS (DISPENSE)

**OPERATING ENVIRONMENT**

-34° C TO 49° C (-30° F TO 120° F) WITHOUT SUN EXPOSURE. 15% TO 100% RELATIVE HUMIDITY. CANOPY RECOMMENDED.

**CANOPY REQUIREMENT**

IT IS RECOMMENDED THE UNIT BE PLACED UNDER COVER/CANOPY FOR OPERATOR/SERVICE PROTECTION.

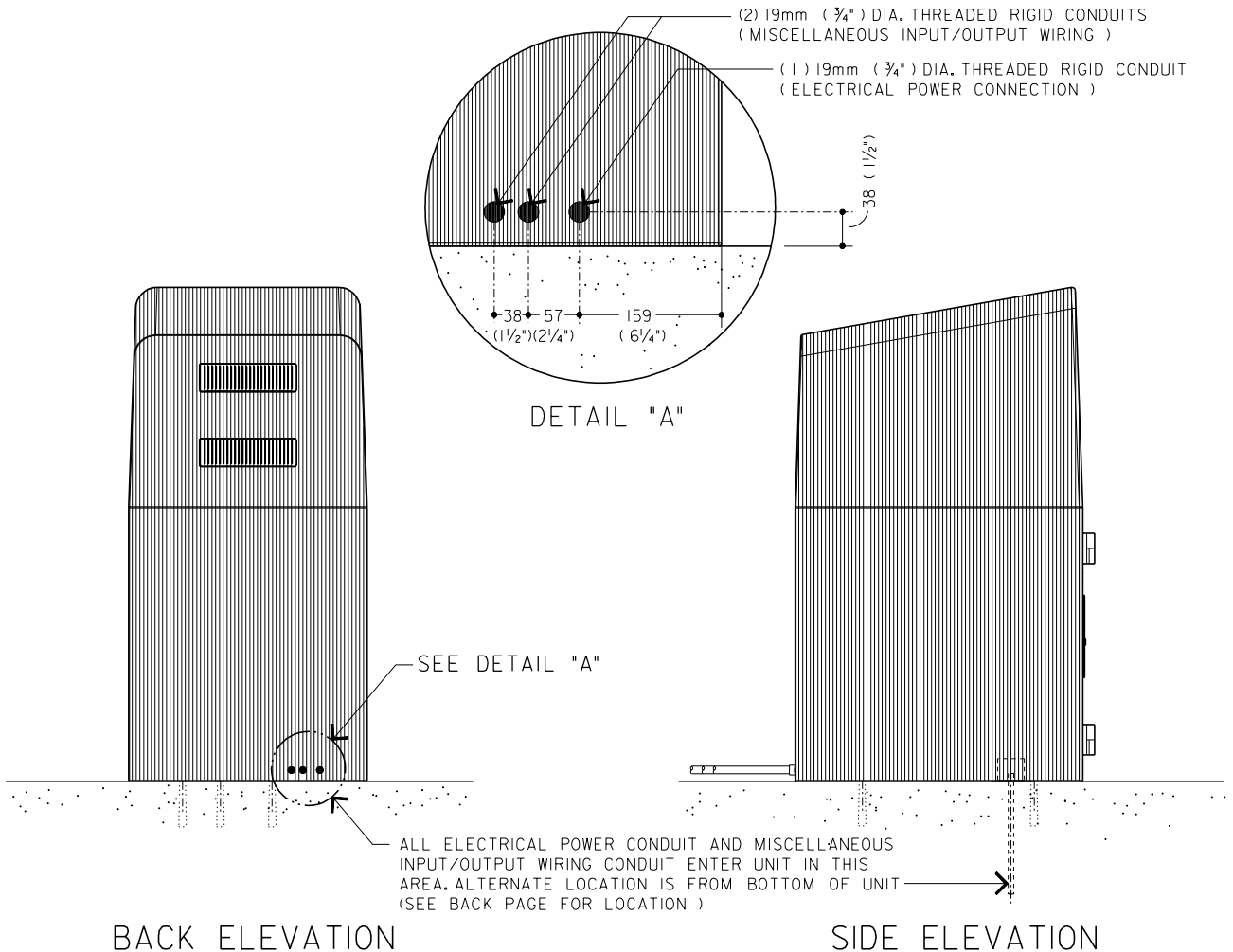
**WEIGHT OF UNIT**

1,364 kg (3,000 LBS.)

**ALARM PROTECTION**

THE UL-LISTED SAFE IS EQUIPPED WITH A BASIC ALARM SENSOR PACKAGE. THE BASIC PACKAGE INCLUDES A SAFE DOOR OPEN SWITCH, ALARM SHUNTING SWITCH, AND RATE-OF-RISE HEAT SENSOR.

DIMENSIONS IN MILLIMETRES  
(DIMENSIONS IN INCHES)

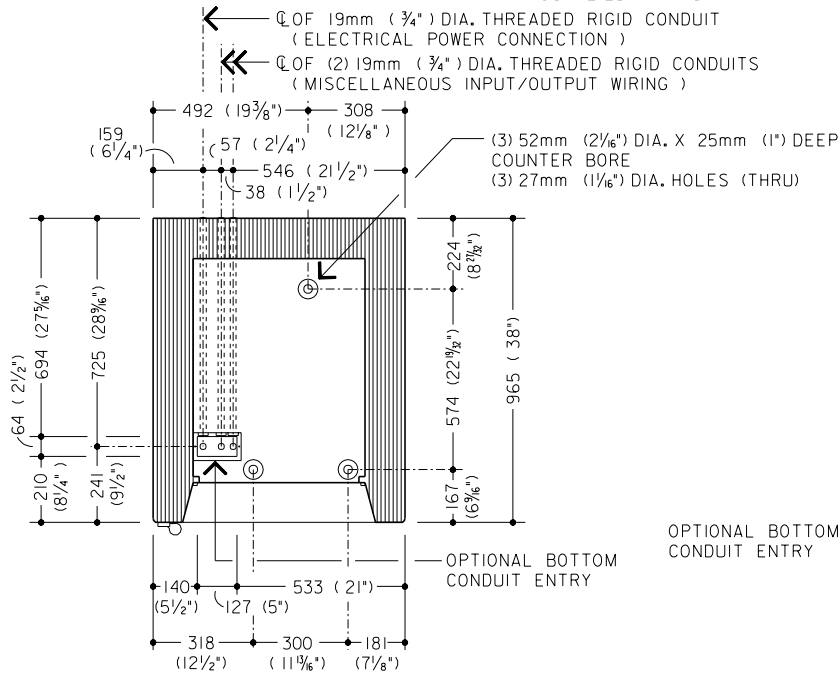


CALL 1-800-999-3600

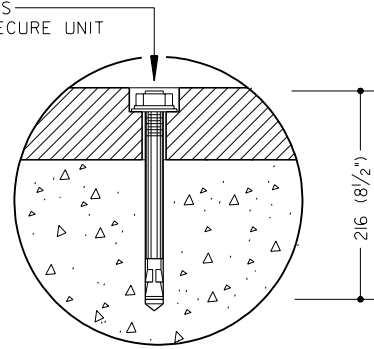
**NOTE:**  
ALL CONDUITS MUST BE EQUIPPED WITH "SEAL-OFF"  
(BY ELECTRICAL CONTRACTOR)

INSTALLER TO DRILL (3) 3/4" X (6") MIN. DEEP HOLES  
(TEMPLATE PROVIDED FOR LOCATING HOLES) AND SECURE UNIT  
WITH (3) 3/4"-10 UNC X (8 1/2") LONG WEDGE ANCHORS  
SUPPLIED WITH UNIT

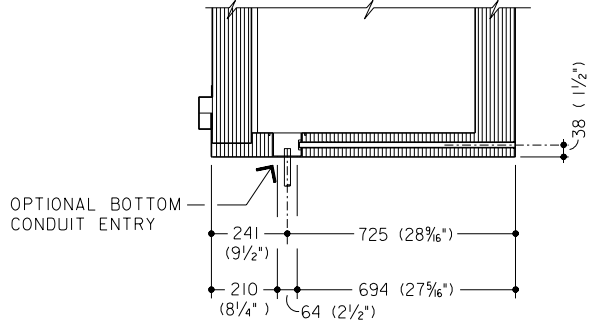
DIMENSIONS IN MILLIMETRES  
(DIMENSIONS IN INCHES)



SECTION-PLAN VIEW



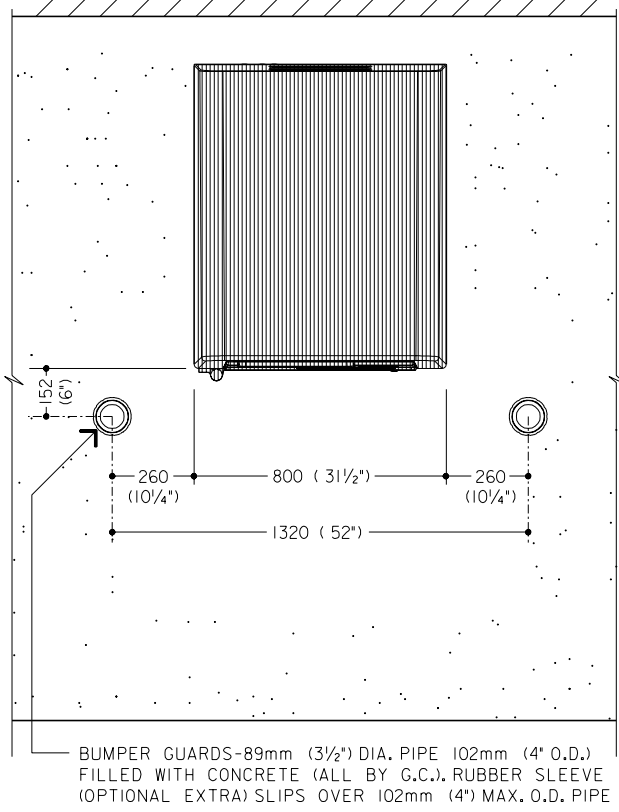
ANCHOR BOLT INSTALLATION



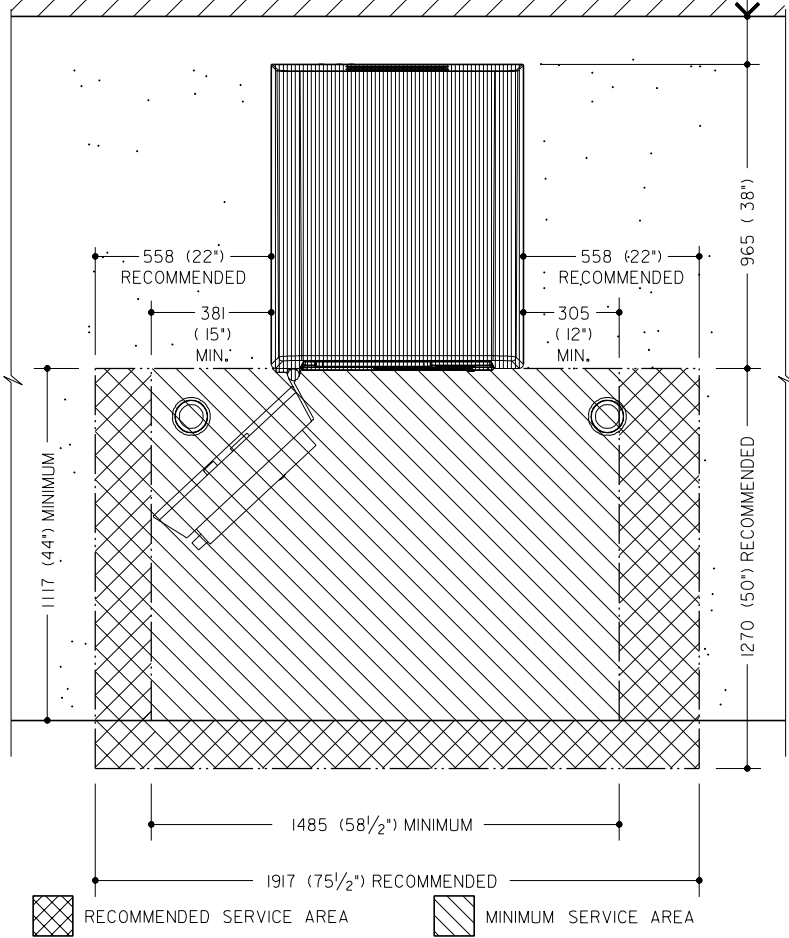
SECTION-SIDE VIEW

### SERVICE REQUIREMENTS

152mm (6") MINIMUM CLEARANCE  
FOR INTAKE AND EXHAUST



PLAN VIEW

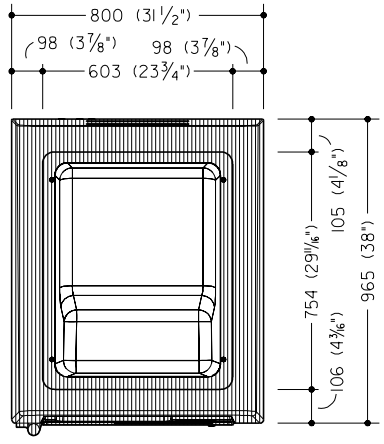
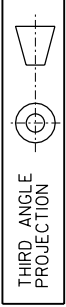


PLAN VIEW (SERVICE AREA)

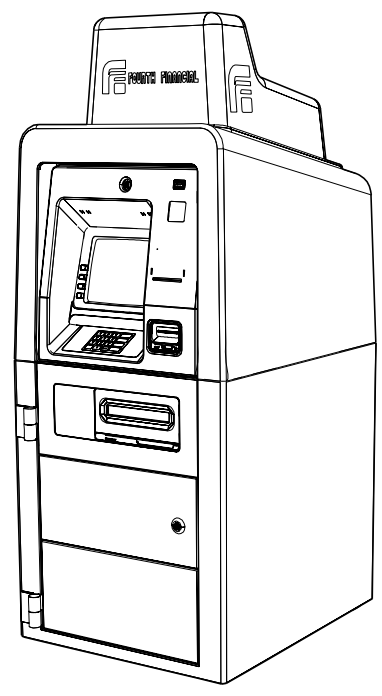


# 1075ix OPTIONAL SIGNAGE PANEL

DIMENSIONS IN MILLIMETRES  
( DIMENSIONS IN INCHES )

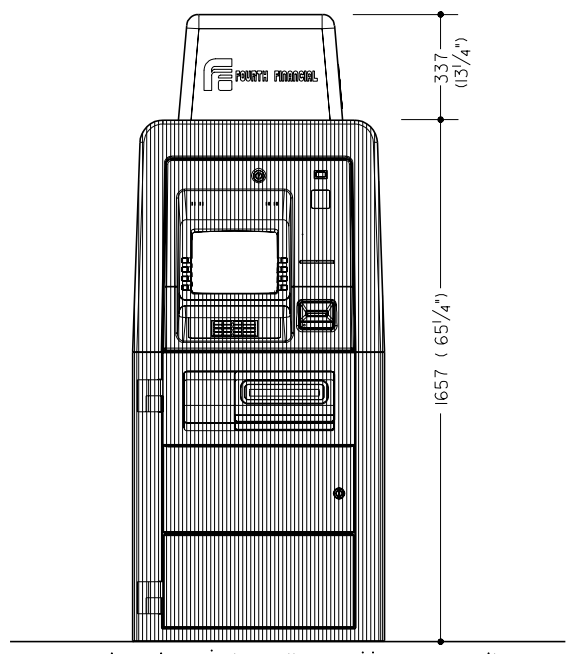


PLAN VIEW

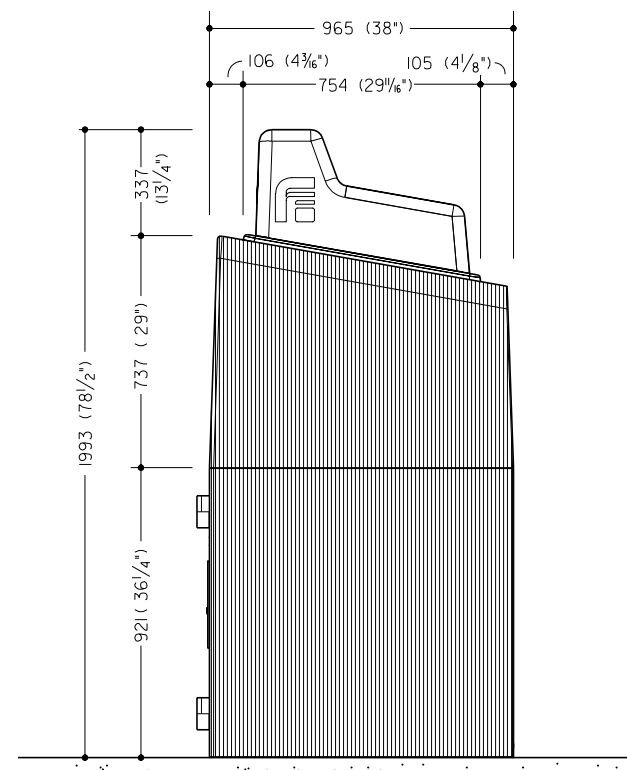


P E R S P E C T I V E

\*ALL DIMENSIONS AND DESIGN CRITERIA  
SUBJECT TO CHANGE WITHOUT NOTICE.\*



FRONT ELEVATION



SIDE ELEVATION